



PARTS CATALOGUE

YDX-MORO Pro

PB65MPL (X1V1) USA

PB65MPM (X1V2) USA

PB65MPS (X1V3) USA

PB65MPL
PB65MPM/PB65MPS
PARTS CATALOGUE
©2020 by Yamaha Motor Co., Ltd.
1st edition, October 2020
All rights reserved.
Any reprinting or unauthorized use
without the written permission of
Yamaha Motor Co., Ltd.
is expressly prohibited.
Printed in Japan.

FOREWORD

This Parts Catalogue is related to the parts for the model(s) on the cover page. When you are ordering replacement parts, please refer to this Parts Catalogue and quote both part numbers and part names correctly.

1. Modifications or additions which have been made after the issue of the Parts Catalogue will be announced in the Parts News.
It is advisable that you make the necessary corrections to the Parts Catalogue according to the Parts News.

2. Abbreviations

The following abbreviations are used in this Parts Catalogue.

“UR” Use specified parts number.

“UN” Use as many as needed.

“AP” Alternate Parts

“LM” Locally Made (Parts need to be ordered locally)

“F#” Frame No. (Applicable machine No.)

“O/S” Over Size

3. The number of components for assembly

- Parts, which are to be supplied in an assembly, are listed with a dot (.) in front of the part name as shown below.
- The numeral appearing to the right of each component part indicates the quantity of parts for each assembly unit.

PART NO.	DESCRIPTION	Q'TY	REMARKS
2F5-83310-60	FRONT FLASHER LIGHT ASSY	2	
115-83311-60	.BULB (6V-18W)	1	

4. Applicable colours of graphics are represented in the “REMARKS” as shown below.

PART NO.	DESCRIPTION	Q'TY	REMARKS
2N4-24110-00-X5	FUEL TANK COMP.	2	MXR
3J1-24240-10	.GRAPHIC, FUEL TANK	1	FOR MXR

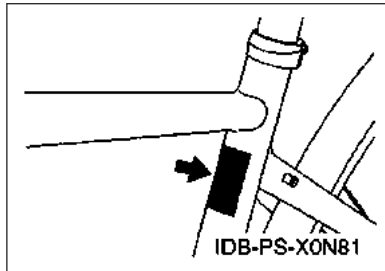
5. Note that the illustrations for reference in finding parts numbers are not to be used for assembling. When assembling, please use the applicable service manual.

6. The asterisk (*) before a reference number indicates modified items after the first edition.

FOREWORD

7. Applicable Serial No.

Frame Serial No.



8. Applicable Colour Code (The (*) mark shows Model colour.)

Abbreviation	Colour Name	Colour Code
BNM8	BLUISH GRAY METALLIC 8	1826
DPBM1C(*)	DARK PURPLISH BLUE METALLIC 1C	1825

9. Applicable Starting Serial No.

Engine Serial No.

Serial No.	Name Of Q'ty Column	Model Code
X1V1-0001001	X1V1	X1V1
X1V2-0001001	X1V2	X1V2
X1V3-0001001	X1V3	X1V3

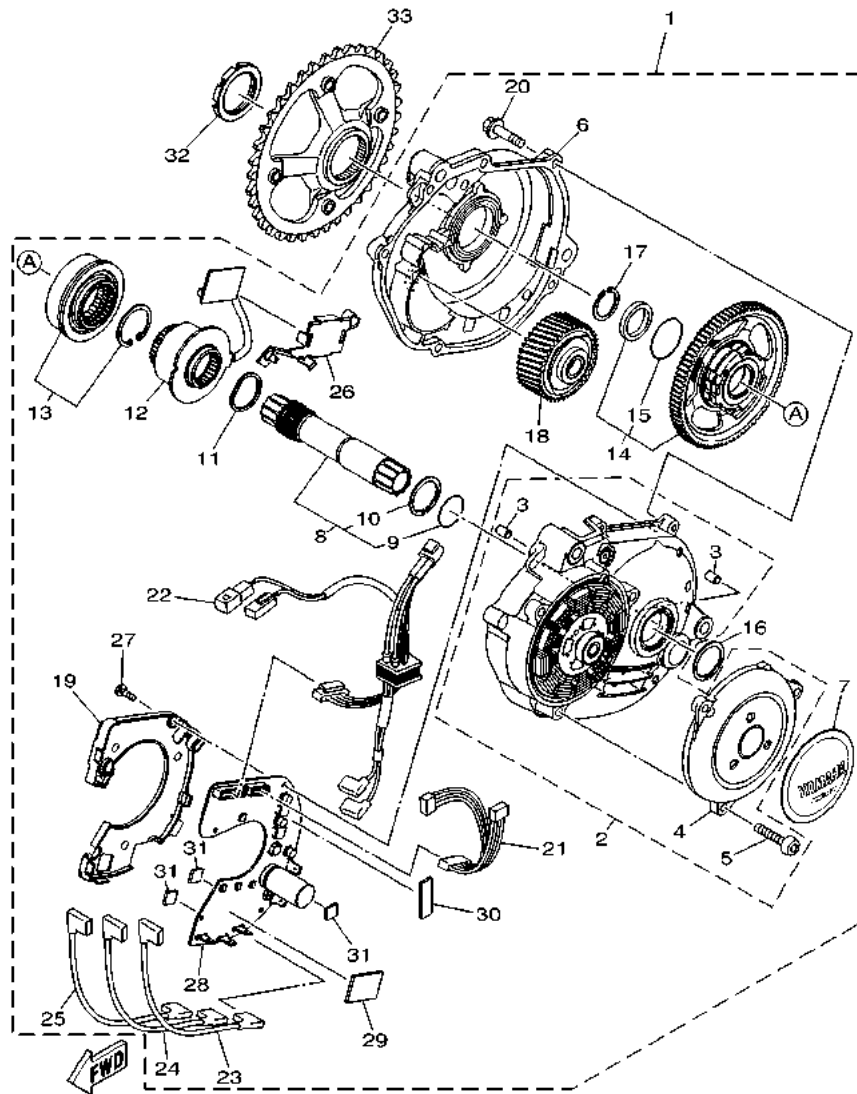
CONTENTS

POWER UNIT.....	1
FRAME.....	3
FRAME 2.....	4
FRAME 3.....	5
SIDE COVER.....	6
SEAT & CARRIER.....	7
FRONT WHEEL.....	8
REAR WHEEL.....	9
STEERING HANDLE & CABLE.....	10
ELECTRICAL 1.....	11
ELECTRICAL 2.....	12

INDEX

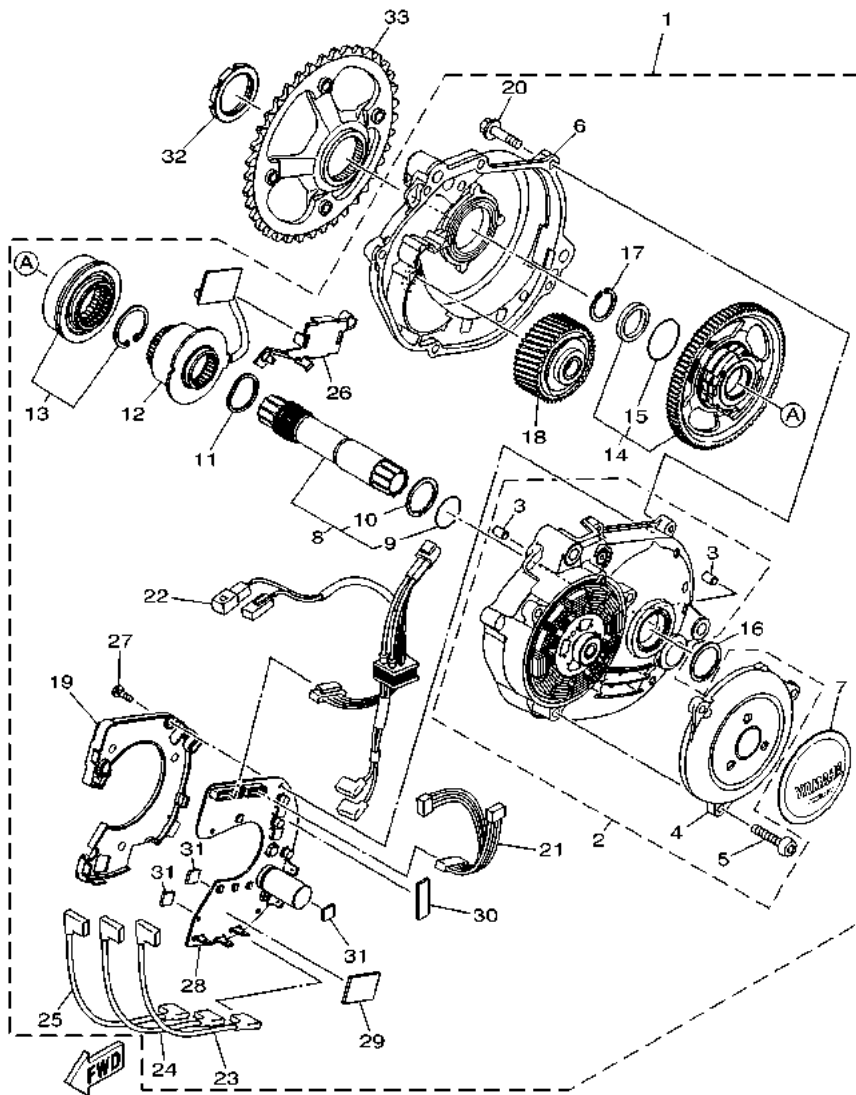
NUMERICAL INDEX.....	13
----------------------	----

FIG. 1 POWER UNIT



X1V1110-V010

REF. NO.	PART NO.	DESCRIPTION	X1V1	X1V2	X1V3	REMARKS
1	X1V-17061-11	DRIVE UNIT ASSY	1	1	1	
2	X0P-81890-10	.MOTOR ASSY	1	1	1	
3	93606-10227	..PIN, DOWEL	2	2	2	
4	X0P-87153-01	..COVER, STATOR	1	1	1	
5	92014-05016	..BOLT, BUTTON HEAD	3	3	3	
6	X0P-17510-01	..HOUSING COMP.	1	1	1	
7	X0P-15490-00	..COVER ASSY	1	1	1	
8	X0P-17421-11	..AXLE, DRIVE	1	1	1	
9	93210-22010	..O-RING	1	1	1	
10	99009-24800	..CIRCLIP	1	1	1	
11	90206-24001	..WASHER, WAVE	1	1	1	
12	X0P-17062-00	..TORQUE SENSOR ASSY	1	1	1	
13	X0P-16180-00	..ONE WAY BOSS COMP.	1	1	1	
14	X0P-16570-10	..CLUTCH BOSS ASSY	1	1	1	
15	93210-32006	..O-RING	1	1	1	
16	99009-24800	..CIRCLIP	1	1	1	
17	93410-22098	..CIRCLIP	1	1	1	
18	X0P-17840-10	..DRIVEN GEAR ASSY	1	1	1	
19	X1R-17524-00	..HOLDER	1	1	1	
20	90105-05029	..BOLT, FLANGE	5	5	5	
21	X1R-86171-00	..WIRE, LEAD 1	1	1	1	
22	X1V-86172-00	..WIRE, LEAD 2	1	1	1	
23	X0P-86173-00	..WIRE, LEAD 3	1	1	1	
24	X0P-86174-00	..WIRE, LEAD 4	1	1	1	
25	X0P-86175-00	..WIRE, LEAD 5	1	1	1	
26	X0P-17822-01	..HOLDER, SENSOR	1	1	1	
27	90164-03009	..SCREW, TAPPING	4	4	4	

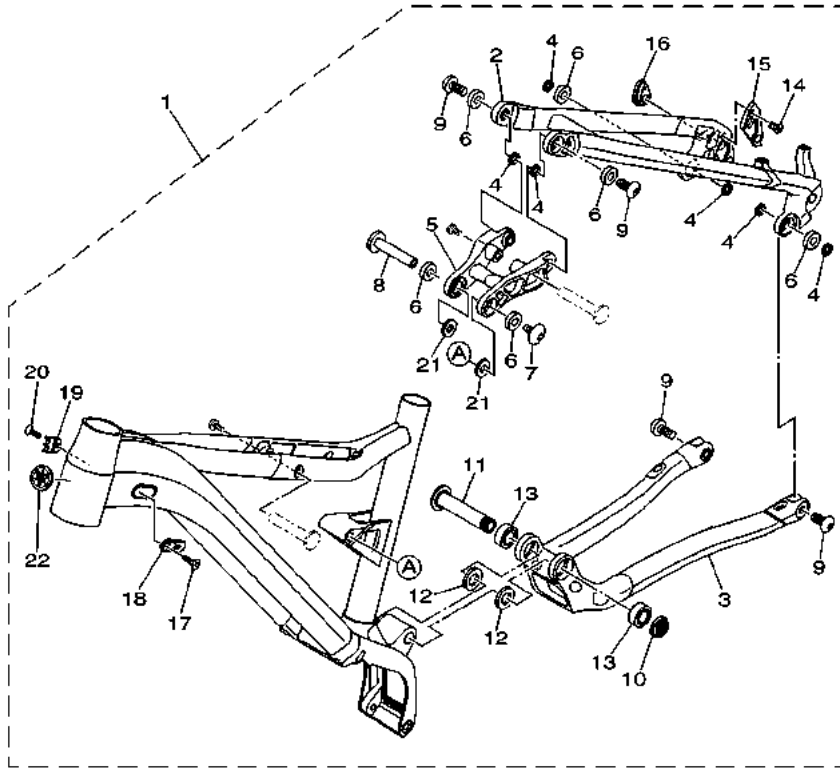


X1V1110-V010

FIG. 1 POWER UNIT

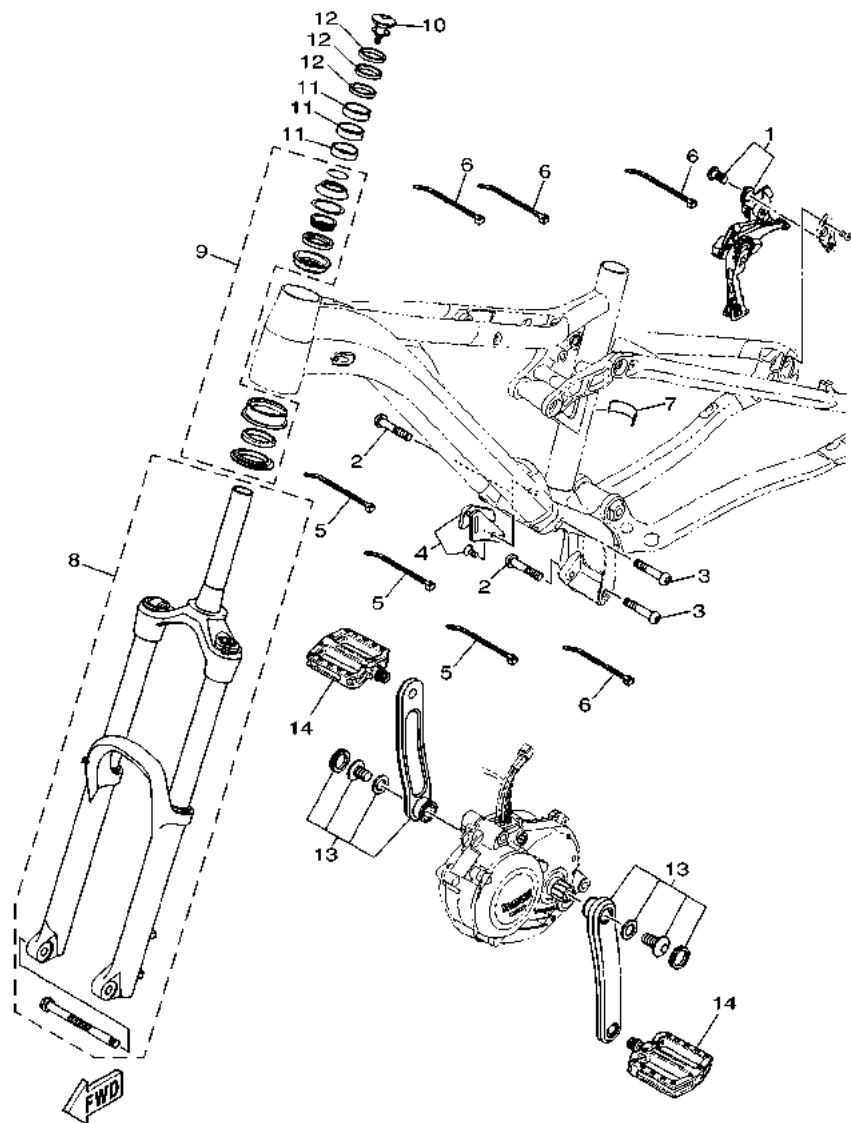
REF. NO.	PART NO.	DESCRIPTION	X1V1	X1V2	X1V3	REMARKS
28	X1V-86212-11	.CONTROLLER ASSY	1	1	1	
29	X0P-8A8B0-10	.SHEET	1	1	1	
30	X0P-8A8B1-10	.SHEET 1	1	1	1	
31	X0P-8A8B2-10	.SHEET 2	3	3	3	
32	X0P-17463-00	NUT, LOCK	1	1	1	
33	X1V-E7452-00	SPROCKET, DRIVE	1	1	1	

FIG. 2 FRAME



X1W1010-V020

REF. NO.	PART NO.	DESCRIPTION	X1V1	X1V2	X1V3	REMARKS
1	X1V-F1110-00-0X	FRAME COMP.	1			
	X1V-F1110-10-0X	FRAME COMP.		1		
	X1V-F1110-20-0X	FRAME COMP.			1	
2	X1V-F2104-00-P0	RR. UPR. ARM COMP., 1	1	1	1	BNM8 FOR DPBM1C
3	X1V-F2106-00-P0	RR. LWR. ARM COMP., 1	1	1	1	FOR DPBM1C
4	X1V-F1549-00	WASHER	6	6	6	
5	X1V-F217A-00	ARM, RELAY	1	1	1	
6	X1V-F2176-00	BEARING	6	6	6	
7	X1V-F11C8-00	SCREW 4	1	1	1	
8	X1V-F1244-00	NUT	1	1	1	
9	X1V-F2125-10	BOLT	4	4	4	
10	X1V-F1791-00	NUT	1	1	1	
11	X1V-F2241-00	BOLT 1	1	1	1	
12	X1V-F2149-00	WASHER	2	2	2	
13	X1V-F11C1-00	BEARING	2	2	2	
14	X1V-F11C6-10	SCREW 2	1	1	1	
15	X1V-F114D-00	BRACKET DERAILLER, REAR	1	1	1	
16	X1V-F112K-00	BRACKET 5	1	1	1	
17	X1V-F11C5-00	SCREW 1	1	1	1	
18	X1V-F117F-00	COVER	1	1	1	
19	X1V-F117M-00	COVER 2	1	1	1	
20	X1V-F11C6-00	SCREW 2	1	1	1	
21	X1V-F2149-00	WASHER	2	2	2	
22	X1V-F118E-00	EMBLEM 1	1	1	1	



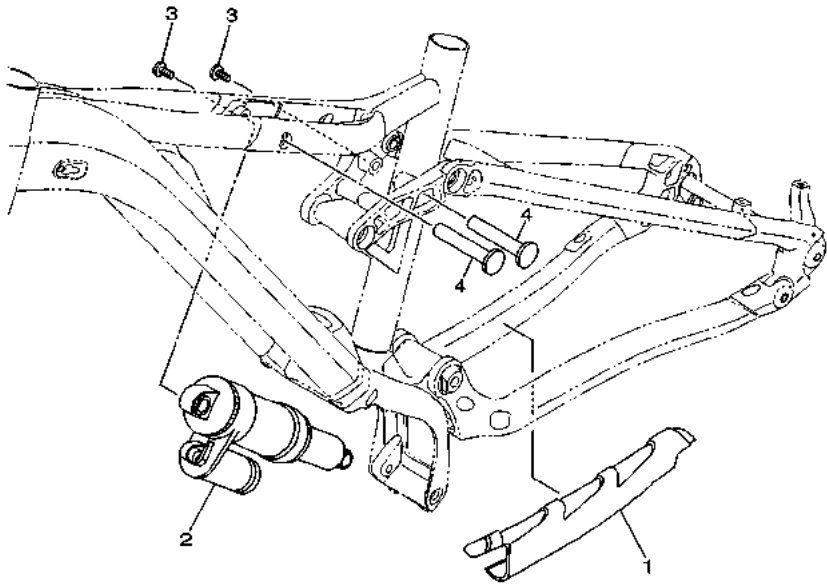
X1V1110-V030

FIG. 3 FRAME 2

REF. NO.	PART NO.	DESCRIPTION	X1V1	X1V2	X1V3	REMARKS
1	X1V-F535B-00	REAR DERAILLER	1	1	1	
2	X1M-F2125-00	BOLT	2	2	2	
3	X1M-F2125-10	BOLT	2	2	2	
4	X1V-F2187-00	GUIDE, CHAIN	1	1	1	
5	X1M-F1999-00	CLAMP, WIRE HARNESS	3	3	3	
6	X0N-F1999-00	CLAMP, WIRE HARNESS	4	4	4	
7	X1M-H4306-00	LABEL, CAUTION	1	1	1	
8	X1V-F3780-00	FORK COMP. 1	1			ROCKSHOX YARI
	X1V-F3780-10	FORK COMP. 1		1		ROCKSHOX YARI
	X1V-F3780-20	FORK COMP. 1			1	ROCKSHOX YARI
9	X1V-F341A-00	STEERING SET	1	1	1	
10	X0N-F287K-10	CAP ASSY	1	1	1	
11	X0N-F3363-00	COLLAR 1	3	3	3	
12	X0N-F3364-00	COLLAR 2	3	3	3	
13	X1V-F781A-00	CRANK SET	1	1	1	
14	X1V-F785A-00	PEDAL SET	1	1	1	

FIG. 4 FRAME 3

REF. NO.	PART NO.	DESCRIPTION	X1V1	X1V2	X1V3	REMARKS
1	X1V-F2825-00	PROTECTOR 1	1	1	1	
2	X1V-F3302-00	CUSHION ASSY	1	1	1	ROCKSHOX SDLX SEL+
3	X1V-F3346-00	BOLT 1	2	2	2	
4	X1V-F2251-00	NUT 1	2	2	2	



X1W1010-V040

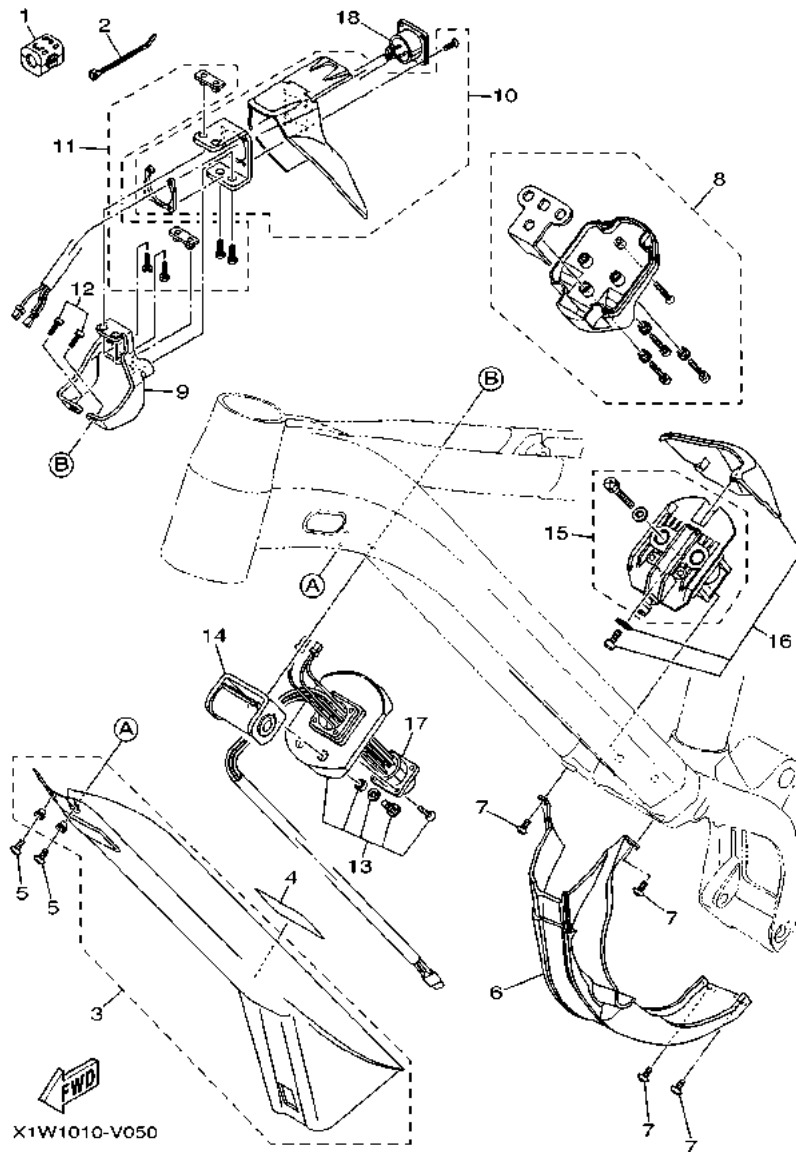
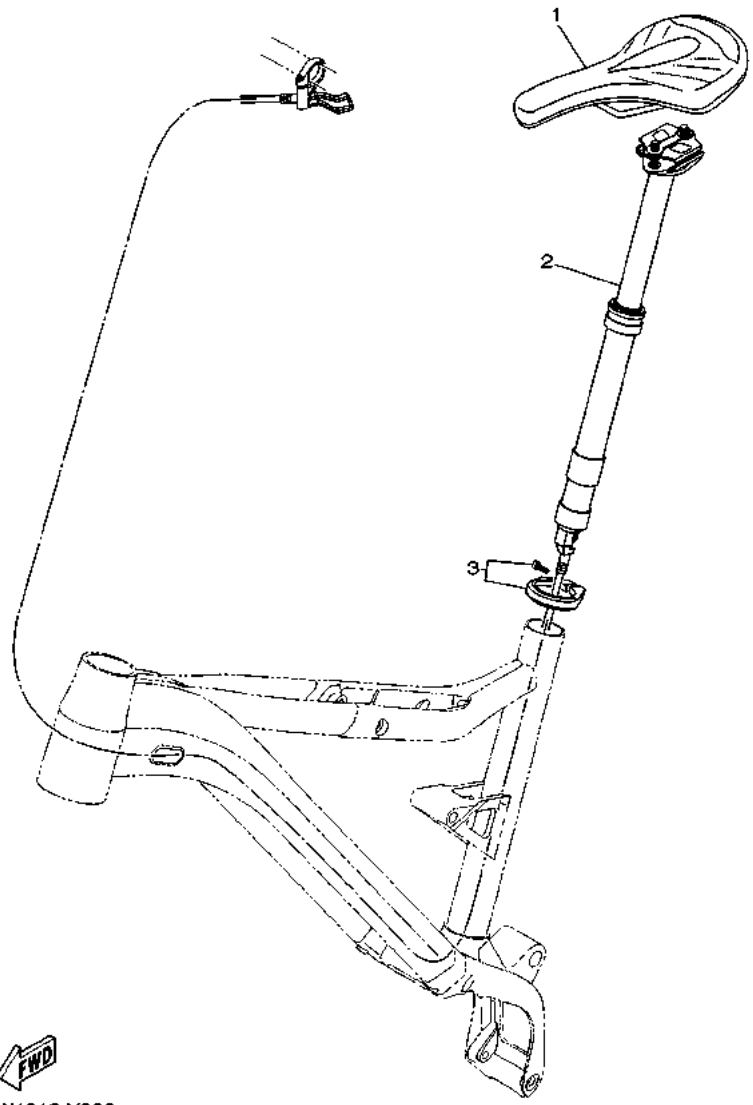


FIG. 5 SIDE COVER

REF. NO.	PART NO.	DESCRIPTION				REMARKS
			X1V1	X1V2	X1V3	
1	X1V-HA900-00	CORE	1	1	1	
2	X1M-F1999-00	CLAMP, WIRE HARNESS	1	1	1	
3	X1V-F198F-00	COVER 1	1	1	1	
4	X1V-F1696-00	LABEL, CAUTION	1	1	1	
5	X1V-F1722-00	BOLT 2	2	2	2	
6	X1V-F198G-00	COVER 2	1	1	1	
7	X1M-F1738-00	BOLT	4	4	4	
8	X1V-F3438-00	CAP, END	1	1	1	
9	X1V-F113N-00	BRACKET, INNER 1	1	1	1	
10	X1V-F17M0-00	TOP COVER KIT	1	1	1	
11	X1V-F174U-00	BOLT NUT SET	1	1	1	
12	X1V-F1738-00	BOLT	1	1	1	
13	X1V-F124E-00	COVER, BATTERY	1	1	1	
14	X1V-F199G-00	BRACKET, BATTERY	1	1	1	
15	X1V-F472A-00	SUPT. ,BATTERY	1	1	1	
16	X1V-F198J-00	COVER 3	1	1	1	
17	X1R-87234-30	PLUG, D.C.RECEPTACLE	1	1	1	
18	X1R-87214-20	RECEPTACLE COMP.	1	1	1	

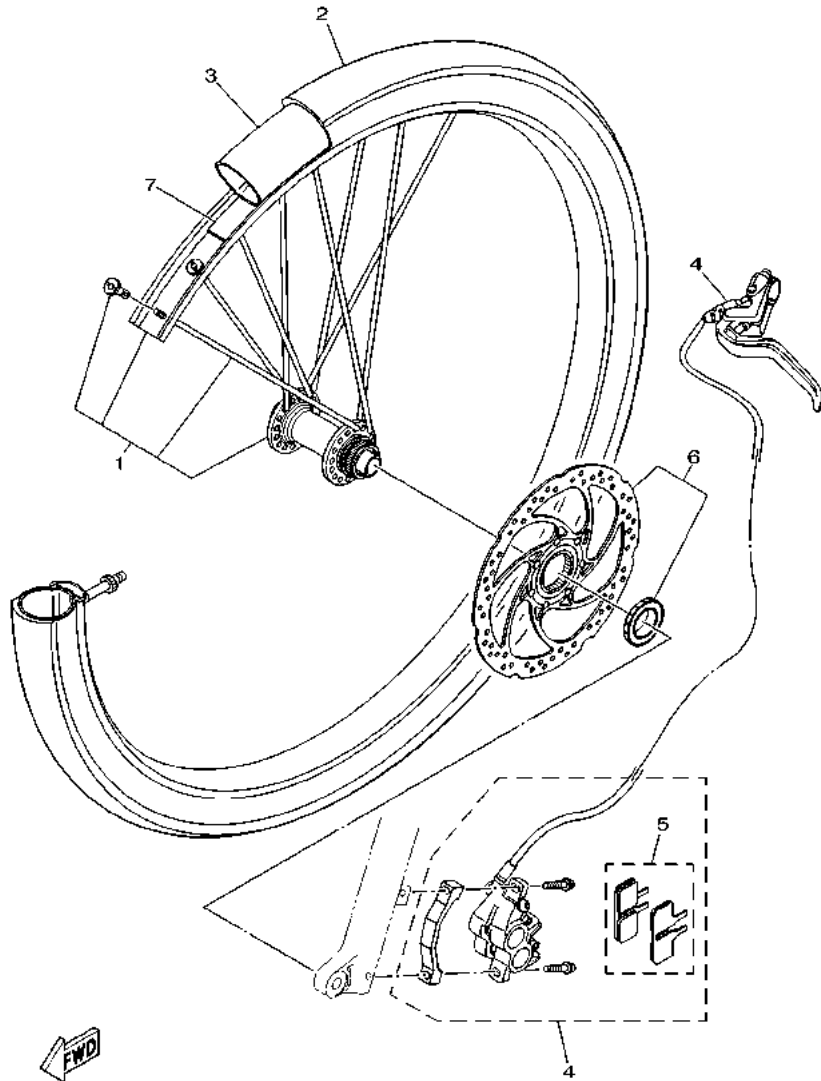


X1W1010-V060

FIG. 6 SEAT & CARRIER

REF. NO.	PART NO.	DESCRIPTION	X1V1	X1V2	X1V3	REMARKS
1	X1V-F4910-00	SADDLE ASSY	1	1	1	
2	X1V-F4921-00	PILLAR, SEAT	1	1		
	X1V-F4921-10	PILLAR, SEAT			1	
3	X1V-F4717-00	BOLT, SEAT FITTING	1	1	1	

FIG. 7 FRONT WHEEL



X1V1110-V070

REF. NO.	PART NO.	DESCRIPTION	X1V1	X1V2	X1V3	REMARKS
1	X1V-F5100-00	WHEEL ASSY	1	1	1	
2	X1V-F510S-00	TIRE	1	1	1	
3	X1V-F510T-00	TUBE	1	1	1	
4	X1V-F510E-00	BRAKE ASSY	1	1	1	
5	X1V-F5130-00	.BRAKE SHOE COMP.	1	1	1	
6	X1V-F582T-00	DISC, BRAKE (LEFT)	1	1	1	
7	X1V-F511D-00	TAPE,RIM	1	1	1	

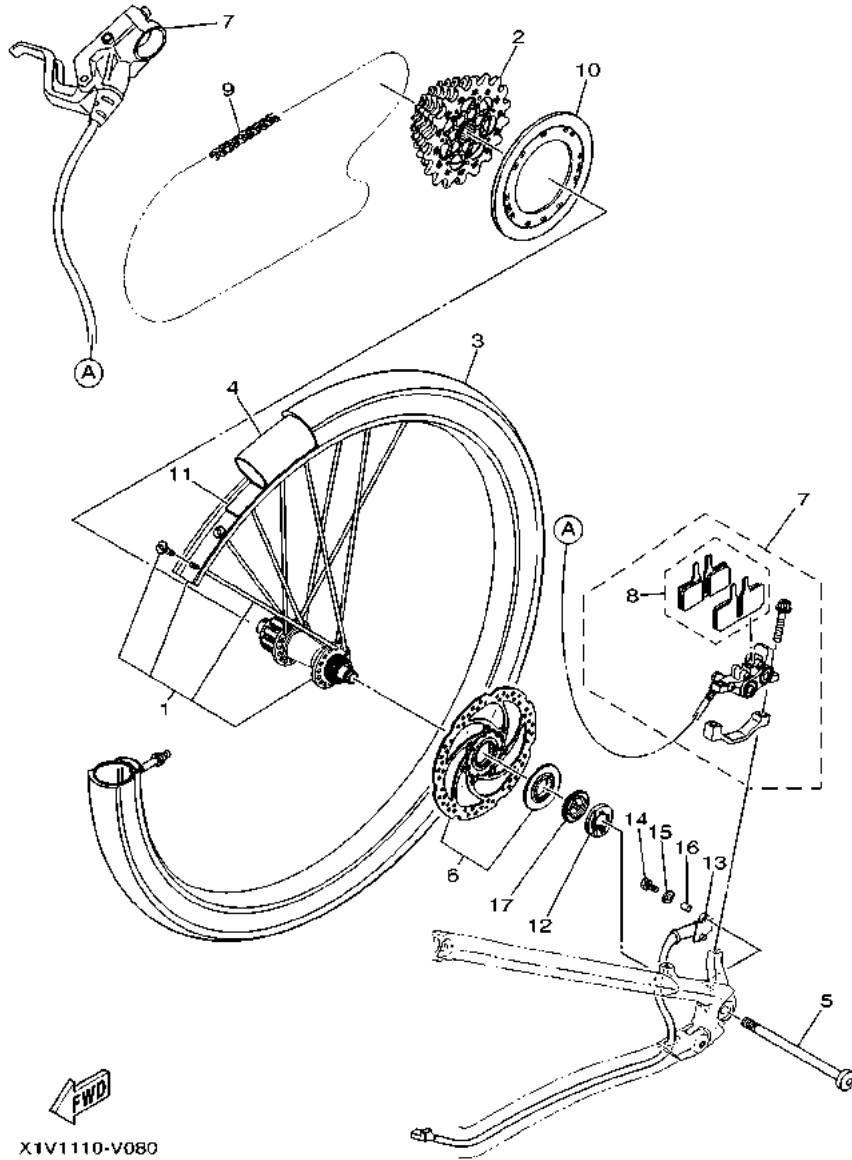
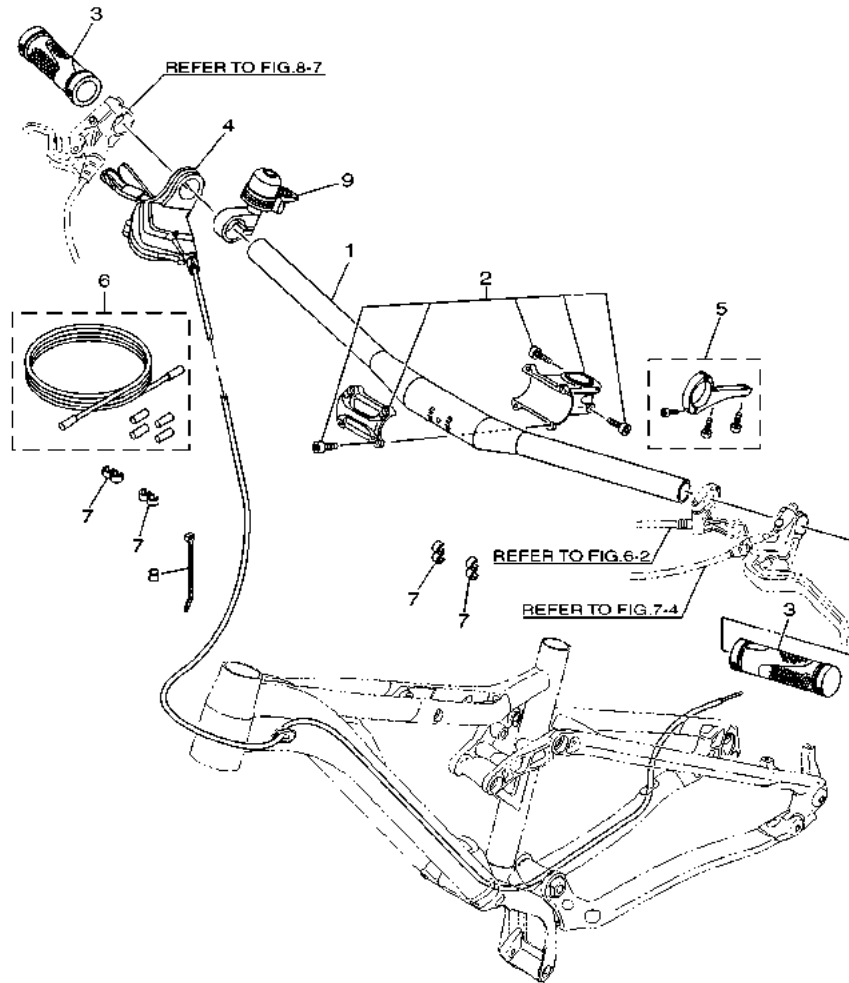


FIG. 8 REAR WHEEL

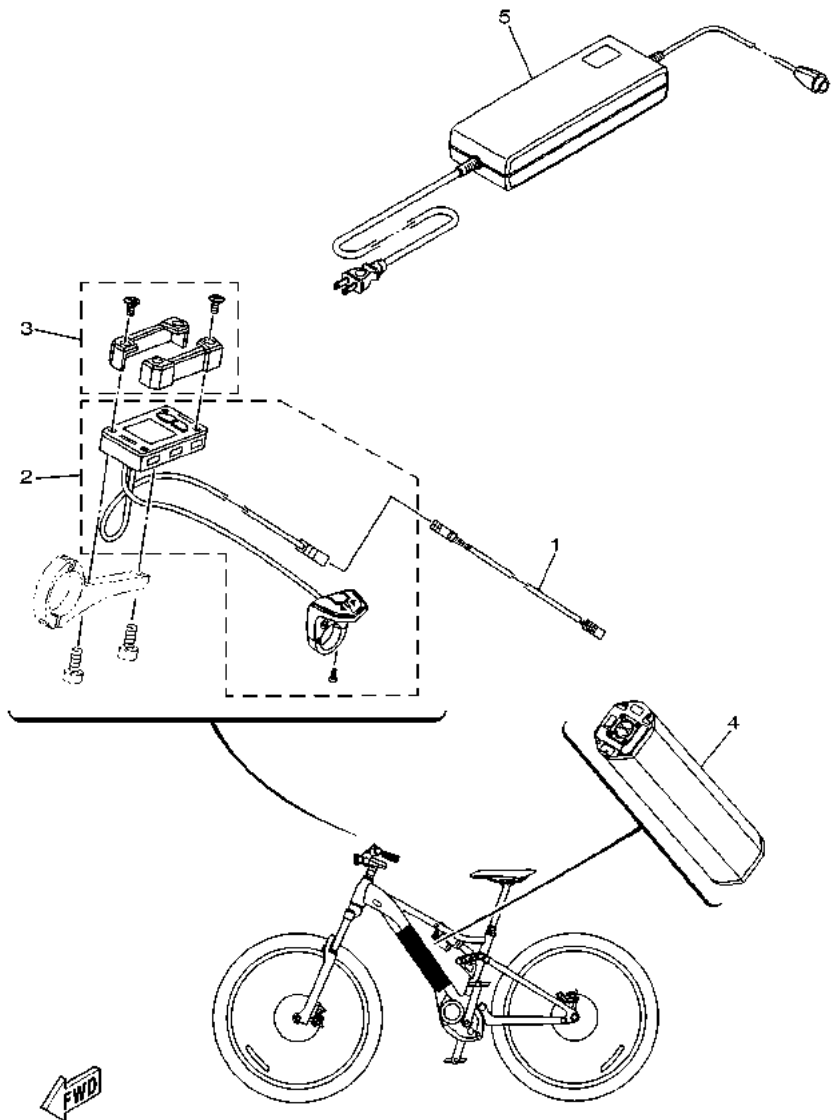
REF. NO.	PART NO.	DESCRIPTION	X1V1	X1V2	X1V3	REMARKS
1	X1V-F5300-00	REAR WHEEL ASSY	1			
2	X1V-F5410-00	RR. WHEEL SPROCKET COMP.	1	1	1	
3	X1V-F510S-00	TIRE	1	1	1	
4	X1V-F510T-00	TUBE	1	1	1	
5	X1V-F533B-00	THROUGH AXLE BOLT ASSY.,RR.	1	1	1	
6	X1V-F582T-10	DISC, BRAKE (LEFT)	1	1	1	
7	X1V-F5701-00	REAR BRAKE ASSY	1			
	X1V-F5701-10	REAR BRAKE ASSY		1	1	
8	X1V-F5130-00	.BRAKE SHOE COMP.	1	1	1	
9	X1M-F53C0-40	CHAIN	1	1	1	
10	X1V-F531C-00	PROTECTOR, SPOKE	1	1	1	
11	X1V-F511D-00	TAPE,RIM	1	1	1	
12	X1V-8352Y-00	MAGNET COMP.	1	1	1	
13	X1M-81670-00	PICK-UP ASSY	1	1	1	
14	91317-03012	BOLT,HEX.SOCKET HEAD	1	1	1	
15	92907-03200	WASHER	1	1	1	
16	X0N-83522-00	COLLAR	1	1	1	
17	X1M-85557-00	HOLDER	1	1	1	

FIG. 9 STEERING HANDLE & CABLE



REF. NO.	PART NO.	DESCRIPTION	X1V1	X1V2	X1V3	REMARKS
1	X1V-F6112-00	BAR, HANDLE	1	1	1	
2	X1V-F6126-00	STEM, HANDLE	1	1	1	
3	X1M-F6201-00	GRIP SET	1	1	1	
4	X1V-F6411-00	SHIFT LEVER ASSY	1	1	1	
5	X1V-F4881-00	BRKT., METER	1	1	1	
6	X1V-F632K-00	WIRE, OUTER 1	1	1	1	
7	X0N-F6392-00	CLIP, CABLE 2	4	4	4	
8	X1M-F1999-00	CLAMP, WIRE HARNESS	1	1	1	
9	X0N-H3382-10	BELL	1	1	1	


 X1V1110-V090



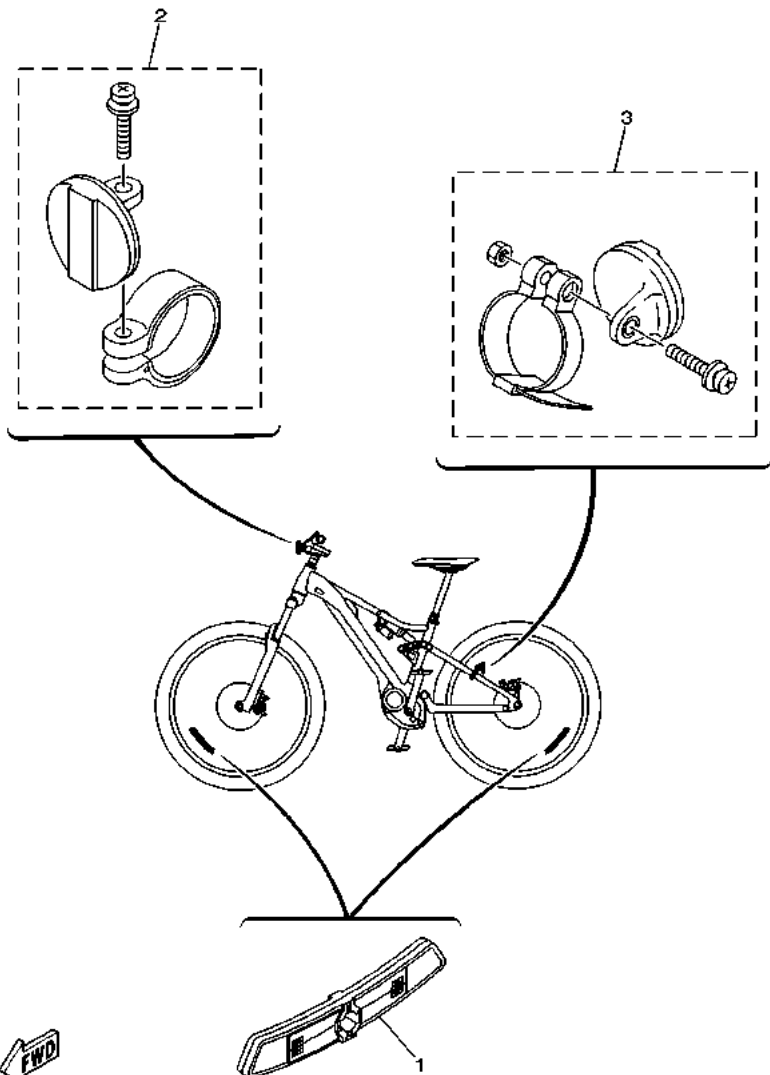
X1V1110-V100

FIG. 10 ELECTRICAL 1

REF. NO.	PART NO.	DESCRIPTION	X1V1	X1V2	X1V3	REMARKS
1	X1V-81515-00	LEAD WIRE ASSY	1	1	1	
2	X1V-83500-00	METER ASSY	1	1	1	
3	X1M-87278-00	COVER, METER	1	1	1	
4	X1V-82110-00	BATTERY ASSY	1	1	1	
5	X1V-8210C-00	BATTERY CHARGER ASSY	1	1	1	

FIG. 11 ELECTRICAL 2

REF. NO.	PART NO.	DESCRIPTION	X1V1	X1V2	X1V3	REMARKS
1	X0N-H4323-00	REFLECTOR	2	2	2	
2	X1V-H5110-00	FRONT REFLECTOR ASSY	1	1	1	
3	X0N-H5140-10	REAR REFLECTOR ASSY	1	1	1	



FWD
X1W1010-V110

NUMERICAL INDEX

PART NO.	REF. NO.	PART NO.	REF. NO.	PART NO.	REF. NO.	PART NO.	REF. NO.	PART NO.	REF. NO.	PART NO.	REF. NO.
X0P-15490-00	1 - 7	X1V-F1244-00	2 - 8	X1V-F510E-00	7 - 4						
X0P-16180-00	1 - 13	X1V-F124E-00	5 - 13	X1V-F510S-00	7 - 2						
X0P-16570-10	1 - 14	X1V-F1549-00	2 - 4		8 - 3						
X1V-17061-11	1 - 1	X1V-F1696-00	5 - 4	X1V-F510T-00	7 - 3						
X0P-17062-00	1 - 12	X1V-F1722-00	5 - 5		8 - 4						
X0P-17421-11	1 - 8	X1M-F1738-00	5 - 7	X1V-F511D-00	7 - 7						
X0P-17463-00	1 - 32	X1V-F1738-00	5 - 12		8 - 11						
X0P-17510-01	1 - 6	X1V-F174U-00	5 - 11	X1V-F5130-00	7 - 5						
X1R-17524-00	1 - 19	X1V-F1791-00	2 - 10		8 - 8						
X0P-17822-01	1 - 26	X1V-F17M0-00	5 - 10	X1V-F5300-00	8 - 1						
X0P-17840-10	1 - 18	X1V-F198F-00	5 - 3	X1V-F531C-00	8 - 10						
X1V-81515-00	10 - 1	X1V-F198G-00	5 - 6	X1V-F533B-00	8 - 5						
X1M-81670-00	8 - 13	X1V-F198J-00	5 - 16	X1V-F535B-00	3 - 1						
X0P-81890-10	1 - 2	X0N-F1999-00	3 - 6	X1M-F53C0-40	8 - 9						
X1V-8210C-00	10 - 5	X1M-F1999-00	3 - 5	X1V-F5410-00	8 - 2						
X1V-82110-00	10 - 4		5 - 2	X1V-F5701-00	8 - 7						
X1V-83500-00	10 - 2		9 - 8	X1V-F5701-10	8 - 7						
X0N-83522-00	8 - 16	X1V-F199G-00	5 - 14	X1V-F582T-00	7 - 6						
X1V-8352Y-00	8 - 12	X1V-F2104-00-PO	2 - 2	X1V-F582T-10	8 - 6						
X1M-85557-00	8 - 17	X1V-F2106-00-PO	2 - 3	X1V-F6112-00	9 - 1						
X1R-86171-00	1 - 21	X1M-F2125-00	3 - 2	X1V-F6126-00	9 - 2						
X1V-86172-00	1 - 22	X1M-F2125-10	3 - 3	X1M-F6201-00	9 - 3						
X0P-86173-00	1 - 23	X1V-F2125-10	2 - 9	X1V-F632K-00	9 - 6						
X0P-86174-00	1 - 24	X1V-F2149-00	2 - 12	X0N-F6392-00	9 - 7						
X0P-86175-00	1 - 25		2 - 21	X1V-F6411-00	9 - 4						
X1V-86212-11	1 - 28	X1V-F2176-00	2 - 6	X1V-F781A-00	3 - 13						
X0P-87153-01	1 - 4	X1V-F217A-00	2 - 5	X1V-F785A-00	3 - 14						
X1R-87214-20	5 - 18	X1V-F2187-00	3 - 4	X0N-H3382-10	9 - 9						
X1R-87234-30	5 - 17	X1V-F2241-00	2 - 11	X1M-H4306-00	3 - 7						
X1M-87278-00	10 - 3	X1V-F2251-00	4 - 4	X0N-H4323-00	11 - 1						
X0P-8A8B0-10	1 - 29	X1V-F2825-00	4 - 1	X1V-H5110-00	11 - 2						
X0P-8A8B1-10	1 - 30	X0N-F287K-10	3 - 10	X0N-H5140-10	11 - 3						
X0P-8A8B2-10	1 - 31	X1V-F3302-00	4 - 2	X1V-HA900-00	5 - 1						
X1V-E7452-00	1 - 33	X1V-F3346-00	4 - 3	90105-05029	1 - 20						
X1V-F1110-00-OX	2 - 1	X0N-F3363-00	3 - 11	90164-03009	1 - 27						
X1V-F1110-10-OX	2 - 1	X0N-F3364-00	3 - 12	90206-24001	1 - 11						
X1V-F1110-20-OX	2 - 1	X1V-F341A-00	3 - 9	91317-03012	8 - 14						
X1V-F112K-00	2 - 16	X1V-F3438-00	5 - 8	92014-05016	1 - 5						
X1V-F113N-00	5 - 9	X1V-F3780-00	3 - 8	92907-03200	8 - 15						
X1V-F114D-00	2 - 15	X1V-F3780-10	3 - 8	93210-22010	1 - 9						
X1V-F117F-00	2 - 18	X1V-F3780-20	3 - 8	93210-32006	1 - 15						
X1V-F117M-00	2 - 19	X1V-F4717-00	6 - 3	93410-22098	1 - 17						
X1V-F118E-00	2 - 22	X1V-F472A-00	5 - 15	93606-10227	1 - 3						
X1V-F11C1-00	2 - 13	X1V-F4881-00	9 - 5	99009-24800	1 - 10						
X1V-F11C5-00	2 - 17	X1V-F4910-00	6 - 1		1 - 16						
X1V-F11C6-00	2 - 20	X1V-F4921-00	6 - 2								
X1V-F11C6-10	2 - 14	X1V-F4921-10	6 - 2								
X1V-F11C8-00	2 - 7	X1V-F5100-00	7 - 1								