



# **PARTS CATALOGUE**

***YDX-TORC***

**PB65YTL** ( X1M1 ) USA

**PB65YTM** ( X1M2 ) USA

**PB65YTS** ( X1M3 ) USA

---

PB65YTL  
PB65YTM/PB65YTS  
PARTS CATALOGUE  
©2018 by Yamaha Motor Co., Ltd.  
1st edition, June 2018  
All rights reserved.  
Any reprinting or unauthorized use  
without the written permission of  
Yamaha Motor Co., Ltd.  
is expressly prohibited.  
Printed in Japan.

# FOREWORD

This Parts Catalogue is related to the parts for the model(s) on the cover page. When you are ordering replacement parts, please refer to this Parts Catalogue and quote both part numbers and part names correctly.

1. Modifications or additions which have been made after the issue of the Parts Catalogue will be announced in the Parts News.  
It is advisable that you make the necessary corrections to the Parts Catalogue according to the Parts News.

2. Abbreviations

The following abbreviations are used in this Parts Catalogue.

“UR” Use specified parts number.

“UN” Use as many as needed.

“AP” Alternate Parts

“LM” Locally Made (Parts need to be ordered locally)

“F#” Frame No. (Applicable machine No.)

“O/S” Over Size

3. The number of components for assembly

- Parts, which are to be supplied in an assembly, are listed with a dot (.) in front of the part name as shown below.
- The numeral appearing to the right of each component part indicates the quantity of parts for each assembly unit.

PART NO.	DESCRIPTION	Q'TY	REMARKS
2F5-83310-60	FRONT FLASHER LIGHT ASSY	2	
115-83311-60	.BULB (6V-18W)	1	

4. Applicable colours of graphics are represented in the “REMARKS” as shown below.

PART NO.	DESCRIPTION	Q'TY	REMARKS
2N4-24110-00-X5	FUEL TANK COMP.	2	MXR
3J1-24240-10	.GRAPHIC, FUEL TANK	1	FOR MXR

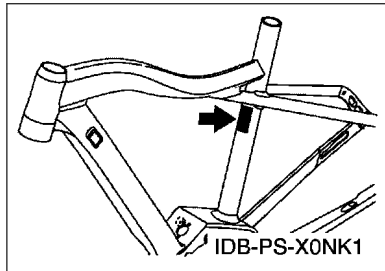
5. Note that the illustrations for reference in finding parts numbers are not to be used for assembling. When assembling, please use the applicable service manual.

6. The asterisk (\*) before a reference number indicates modified items after the first edition.

# FOREWORD

7. Applicable Serial No.

Frame Serial No.



8. Applicable Colour Code (The (\*) mark shows Model colour.)

Abbreviation	Colour Name	Colour Code
MLN3(*)	MAT LIGHT GRAY 3	1715

9. Applicable Starting Serial No.

Engine Serial No.

Serial No.	Name Of Q'ty Column	Model Code
X1M1-0001001	X1M1	X1M1
X1M2-0001001	X1M2	X1M2
X1M3-0001001	X1M3	X1M3

# CONTENTS

POWER UNIT.....	1
FRAME.....	3
SIDE COVER.....	4
SEAT & CARRIER.....	5
FRONT WHEEL.....	6
REAR WHEEL.....	7
STEERING HANDLE & CABLE.....	8
ELECTRICAL 1.....	9
ELECTRICAL 2.....	10
<b>INDEX</b>	
NUMERICAL INDEX.....	11

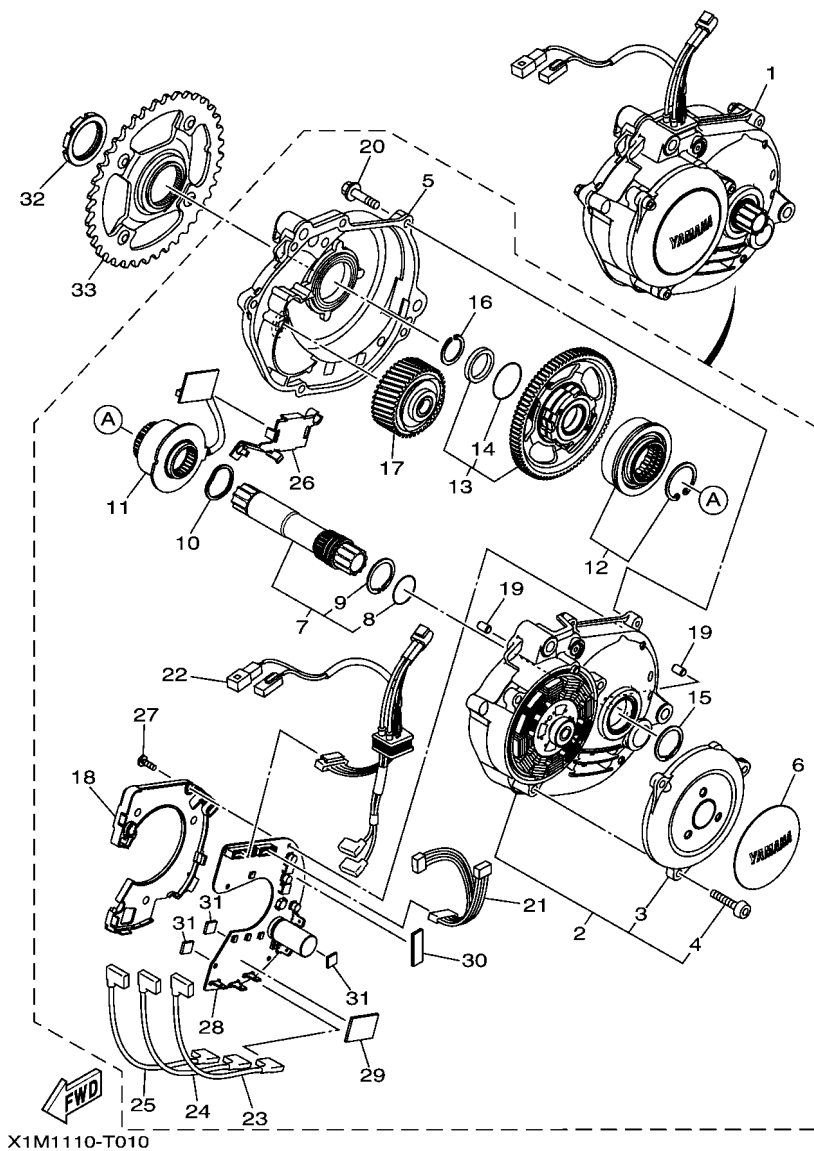
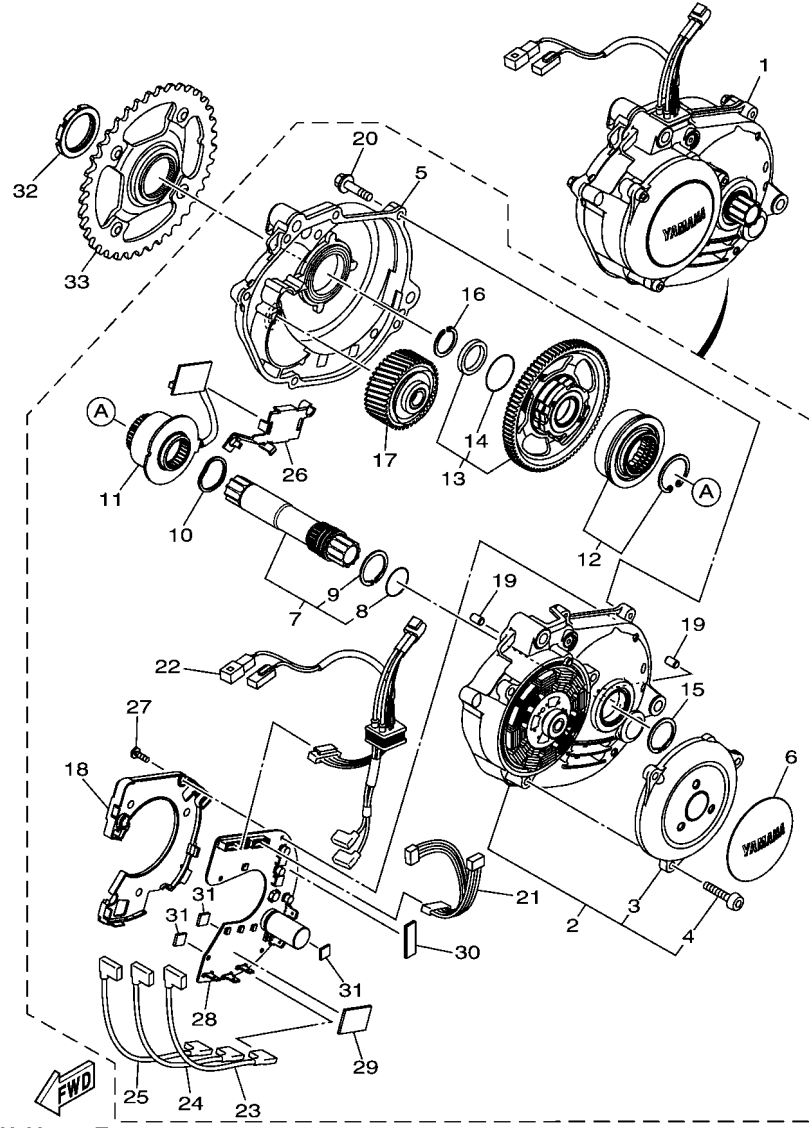


FIG. 1 POWER UNIT

REF. NO.	PART NO.	DESCRIPTION	X1M1	X1M2	X1M3	REMARKS
1	X1M-17061-10	DRIVE UNIT ASSY	1	1	1	
2	X0P-81890-01	.MOTOR ASSY	1	1	1	
3	X0P-87153-01	.COVER, STATOR	1	1	1	
4	92014-05016	.BOLT, BUTTON HEAD	3	3	3	
5	X0P-17510-01	.HOUSING COMP.	1	1	1	
6	X94-15490-10	.COVER ASSY	1	1	1	
7	X0P-17421-10	.AXLE, DRIVE	1	1	1	
8	93210-22010	.O-RING	1	1	1	
9	99009-24800	.CIRCLIP	1	1	1	
10	90206-24001	.WASHER, WAVE	1	1	1	
11	X0P-17062-00	.TORQUE SENSOR ASSY	1	1	1	
12	X0P-16180-00	.ONE WAY BOSS COMP.	1	1	1	
13	X0P-16570-00	.CLUTCH BOSS ASSY	1	1	1	
14	93210-32006	.O-RING	1	1	1	
15	99009-24800	.CIRCLIP	1	1	1	
16	93410-22098	.CIRCLIP	1	1	1	
17	X0P-17840-00	.DRIVEN GEAR ASSY	1	1	1	
18	X1R-17524-00	.HOLDER	1	1	1	
19	93606-10227	.PIN, DOWEL	2	2	2	
20	90105-05029	.BOLT, FLANGE	5	5	5	
21	X0P-86171-00	.WIRE, LEAD 1	1	1	1	
22	X1M-86172-10	.WIRE, LEAD 2	1	1	1	
23	X0P-86173-00	.WIRE, LEAD 3	1	1	1	
24	X0P-86174-00	.WIRE, LEAD 4	1	1	1	
25	X0P-86175-00	.WIRE, LEAD 5	1	1	1	
26	X0P-17822-00	.HOLDER, SENSOR	1	1	1	
27	90164-03009	.SCREW, TAPPING	4	4	4	



X1M1110-T010

**FIG. 1 POWER UNIT**

REF. NO.	PART NO.	DESCRIPTION	X1M1	X1M2	X1M3	REMARKS
28	X1M-86212-10	.CONTROLLER ASSY	1	1	1	
29	X0P-8A8B0-10	.SHEET	1	1	1	
30	X0P-8A8B1-10	.SHEET 1	1	1	1	
31	X0P-8A8B2-10	.SHEET 2	3	3	3	
32	X0P-17463-00	NUT, LOCK	1	1	1	
33	X1M-E7452-00	SPROCKET, DRIVE	1	1	1	

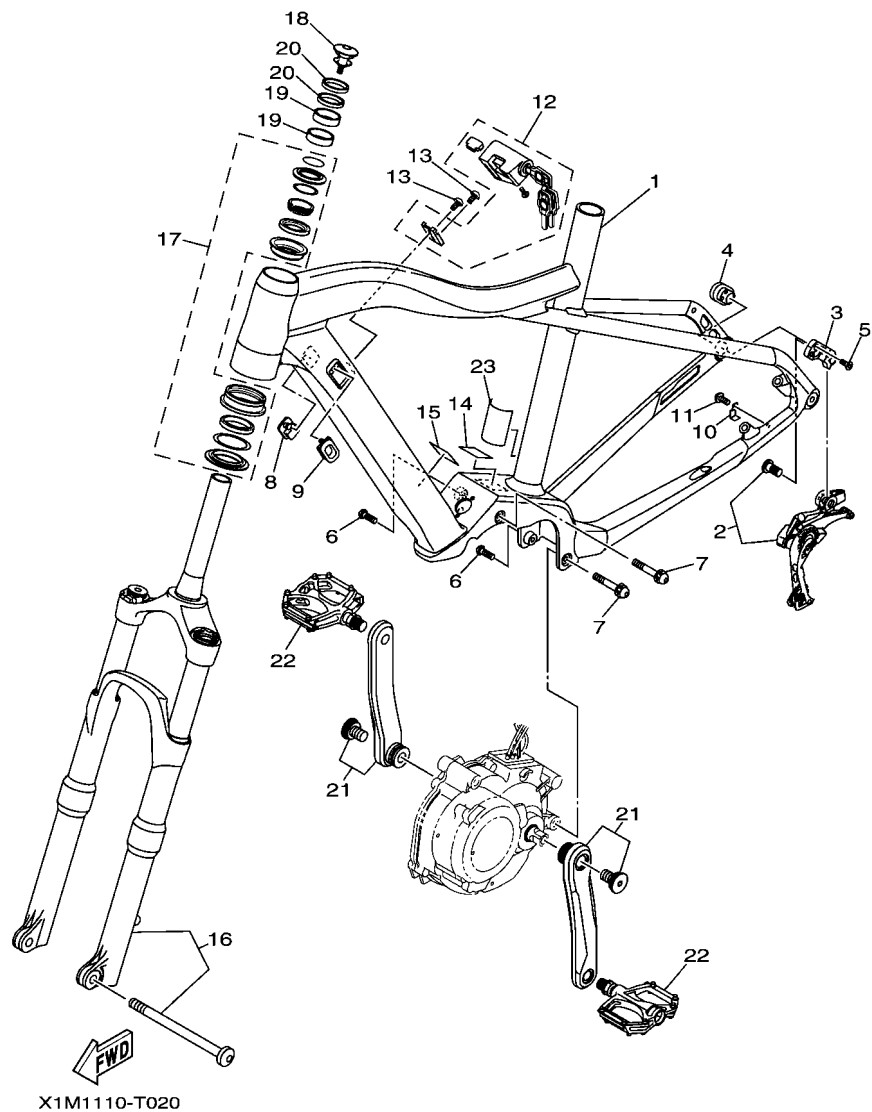
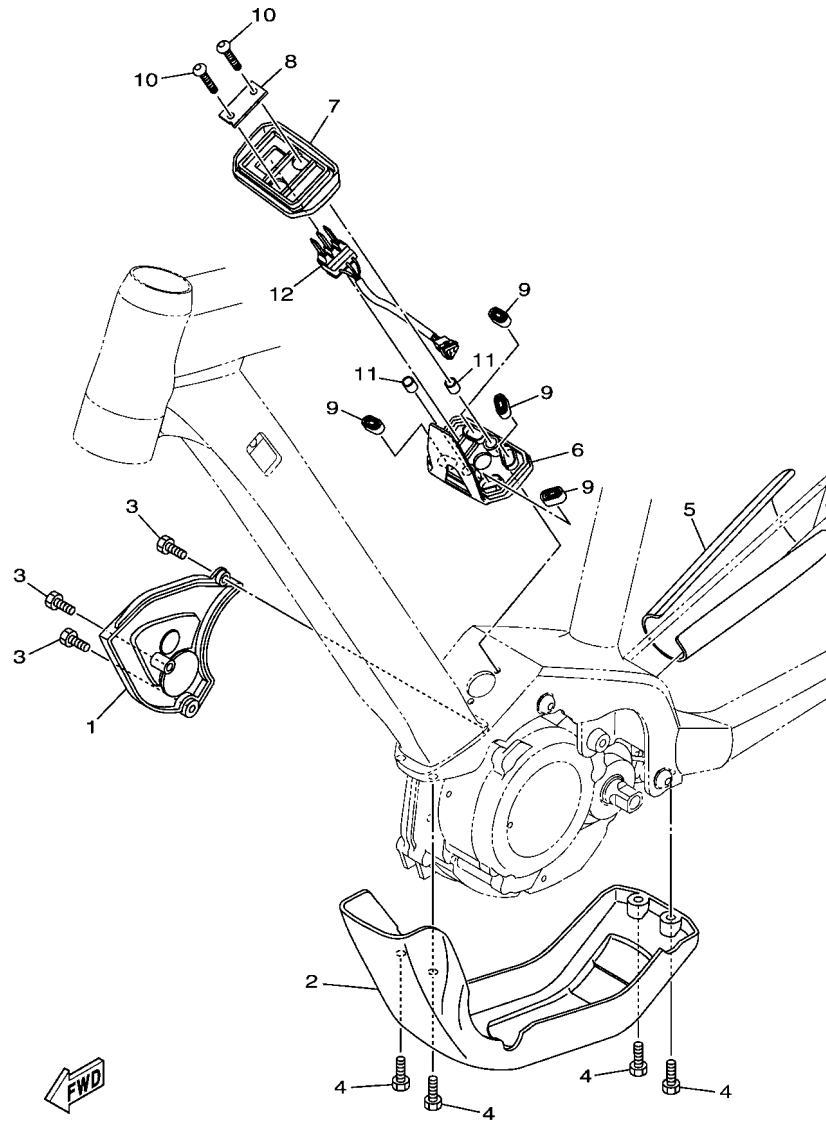


FIG. 2 FRAME

REF. NO.	PART NO.	DESCRIPTION	X1M1	X1M2	X1M3	REMARKS
1	X1M-F1110-00-P0	FRAME COMP.	1			FOR MLN3
	X1M-F1110-10-P0	FRAME COMP.		1		FOR MLN3
	X1M-F1110-20-P0	FRAME COMP.			1	FOR MLN3
2	X1M-F535B-00	REAR DERAILLER	1	1	1	
3	X1M-F114D-00	BRACKET DERAILLER, REAR	1	1	1	
4	X1M-F112K-00	BRACKET 5	1	1	1	
5	X1M-F11C6-00	SCREW 2	2	2	2	
6	X1M-F2125-00	BOLT	2	2	2	
7	X1M-F2125-10	BOLT	2	2	2	
8	X1M-F1719-10	GROMMET	1	1	1	
9	X1M-F1719-30	GROMMET	1	1	1	
10	X1M-F256L-00	BRACKET	1	1	1	
11	X1M-F11C7-00	SCREW 3	1	1	1	
12	X1M-H256A-00	LOCK COMP.	1	1	1	
13	X1M-F11C8-00	SCREW 4	2	2	2	
14	X1M-H4306-00	LABEL, CAUTION	1	1	1	
15	X1M-F2298-00	LABEL, CAUTION	1	1	1	
16	X1M-F3780-00	FORK COMP. 1	1			
	X1M-F3780-10	FORK COMP. 1		1		
	X1M-F3780-20	FORK COMP. 1			1	
17	X1M-F341A-00	STEERING SET	1	1	1	
18	X1M-F287K-00	CAP ASSY	1	1	1	
19	X0N-F3363-00	COLLAR 1	2	2	2	
20	X0N-F3364-00	COLLAR 2	2	2	2	
21	X1M-F781A-00	CRANK SET	1	1	1	
22	X1M-F785A-00	PEDAL SET	1	1	1	
23	X1M-F11A5-00	LABEL INFORMATION	1	1	1	





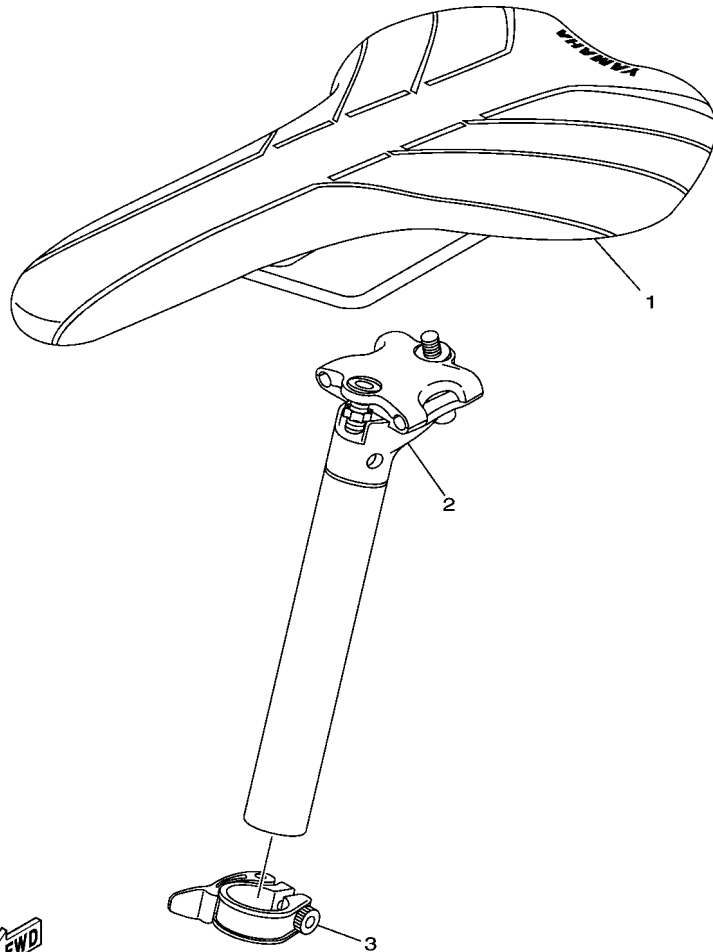
X0NK010-T030

FIG. 3 SIDE COVER

REF. NO.	PART NO.	DESCRIPTION	X1M1	X1M2	X1M3	REMARKS
1	X1M-F1711-00	COVER, SIDE 1	1	1	1	
2	X1M-F2863-00	COVER, UNDER	1	1	1	
3	X1M-F1738-00	BOLT	3	3	3	
4	X1M-F1739-00	BOLT	4	4	4	
5	X1M-F2825-00	PROTECTOR 1	1	1	1	
6	X94-82154-00	CASE	1	1	1	
7	X94-82164-00	CASE 2	1	1	1	
8	X94-21543-10	PLATE 1	1	1	1	
9	X94-2113B-10	DAMPER	4	4	4	
10	90111-05047	BOLT,HEX. SOCKET BUTTON	2	2	2	
11	90387-06303	COLLAR	2	2	2	
12	X94-87234-30	PLUG, D.C.RECEPTACLE	1	1	1	3P, L=200mm

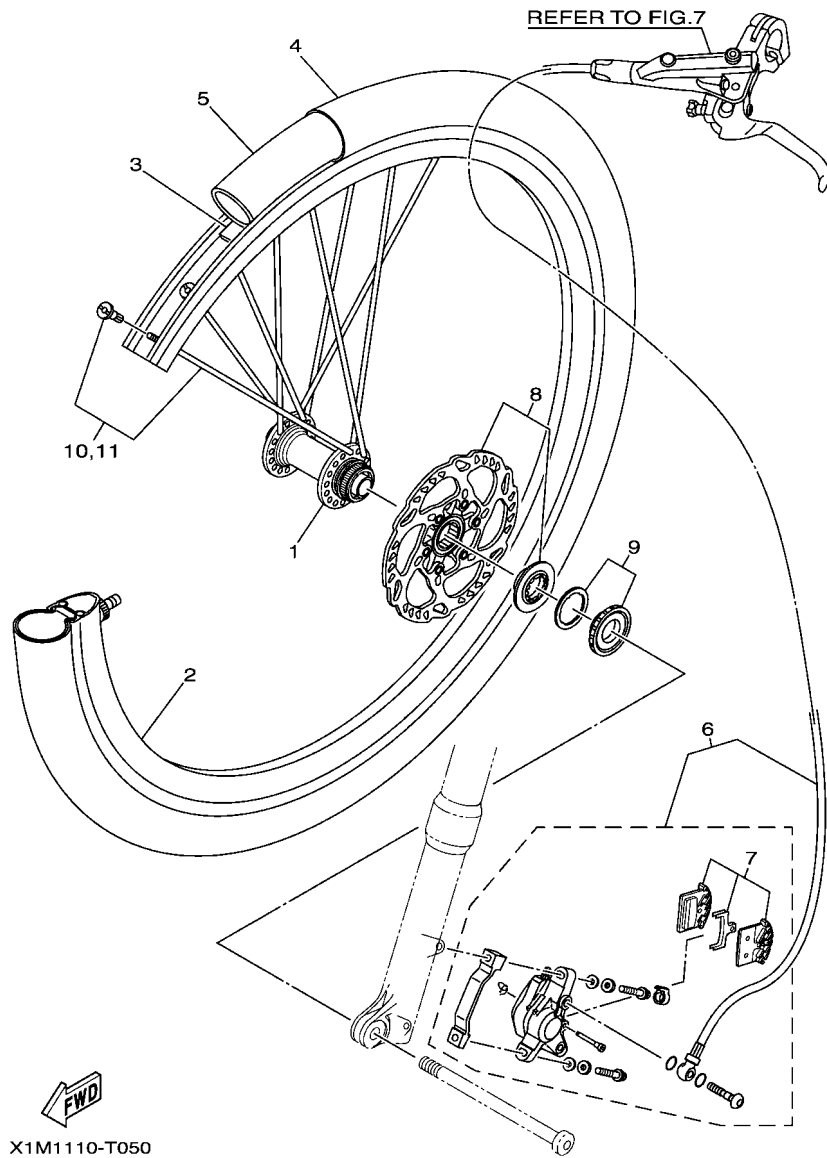
FIG. 4 SEAT & CARRIER

REF. NO.	PART NO.	DESCRIPTION	X1M1	X1M2	X1M3	REMARKS
1	X1M-F4910-00	SADDLE ASSY	1	1	1	
2	X1M-F4921-01	PILLAR, SEAT	1			
	X1M-F4921-11	PILLAR, SEAT		1		
	X1M-F4921-20	PILLAR, SEAT			1	
3	X1M-F4720-00	SEAT BAND ASSY	1	1	1	



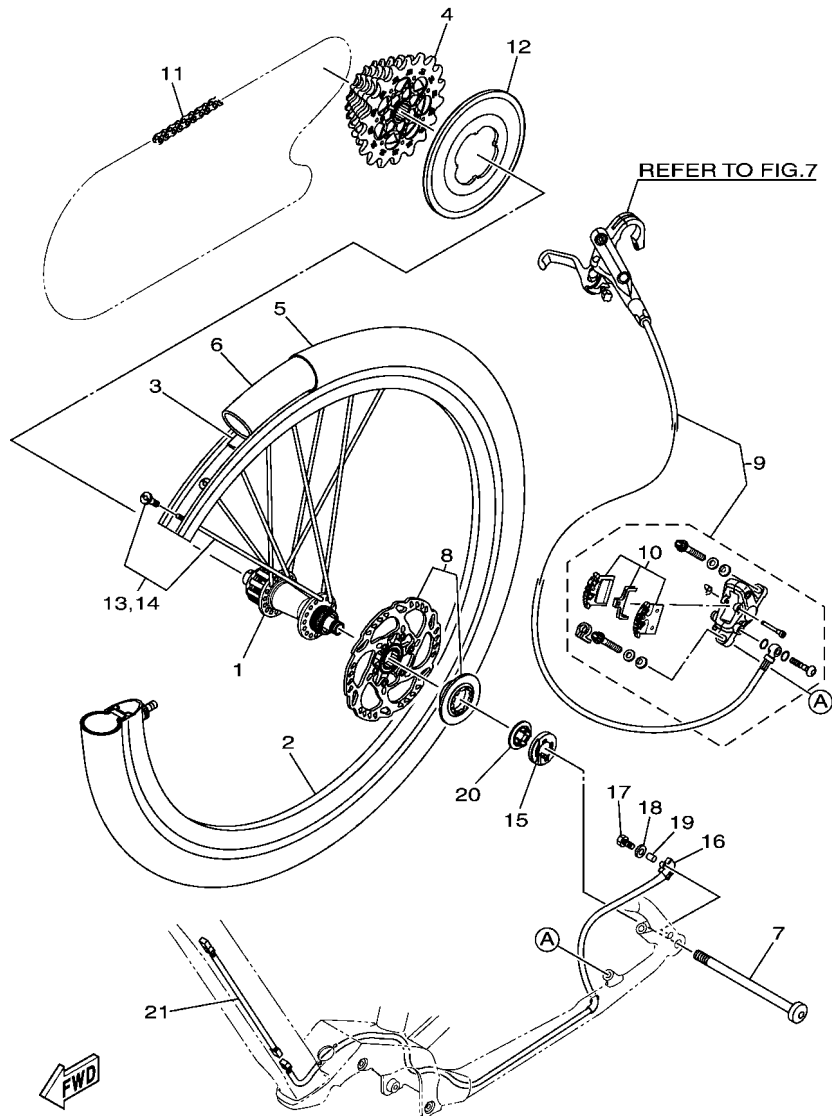
  
 X0NK010-T040

**FIG. 5 FRONT WHEEL**



The number used per Front Wheel 32 pcs.

REF. NO.	PART NO.	DESCRIPTION	X1M1	X1M2	X1M3	REMARKS
1	X1M-F5110-00	HUB ASSY, FRONT	1	1	1	
2	X1M-F5144-00	RIM	1	1	1	
3	X1M-F510U-00	BAND, RIM	1	1	1	
4	X1M-F510S-00	TIRE	1	1	1	
5	X1M-F510T-00	TUBE	1	1	1	
6	X1M-F510E-00	BRAKE ASSY	1	1	1	
7	X1M-F5130-10	.BRAKE SHOE COMP.	1	1	1	
8	X1M-F582T-00	DISC, BRAKE (LEFT)	1	1	1	
9	X1M-F5413-00	NUT, LOCK	1	1	1	
10	X1M-F5106-01	SPOKE SET, FRONT 1	1	1	1	Spoke16,Nipple16
11	X1M-F5107-01	SPOKE SET, FRONT 2	1	1	1	Spoke16,Nipple16

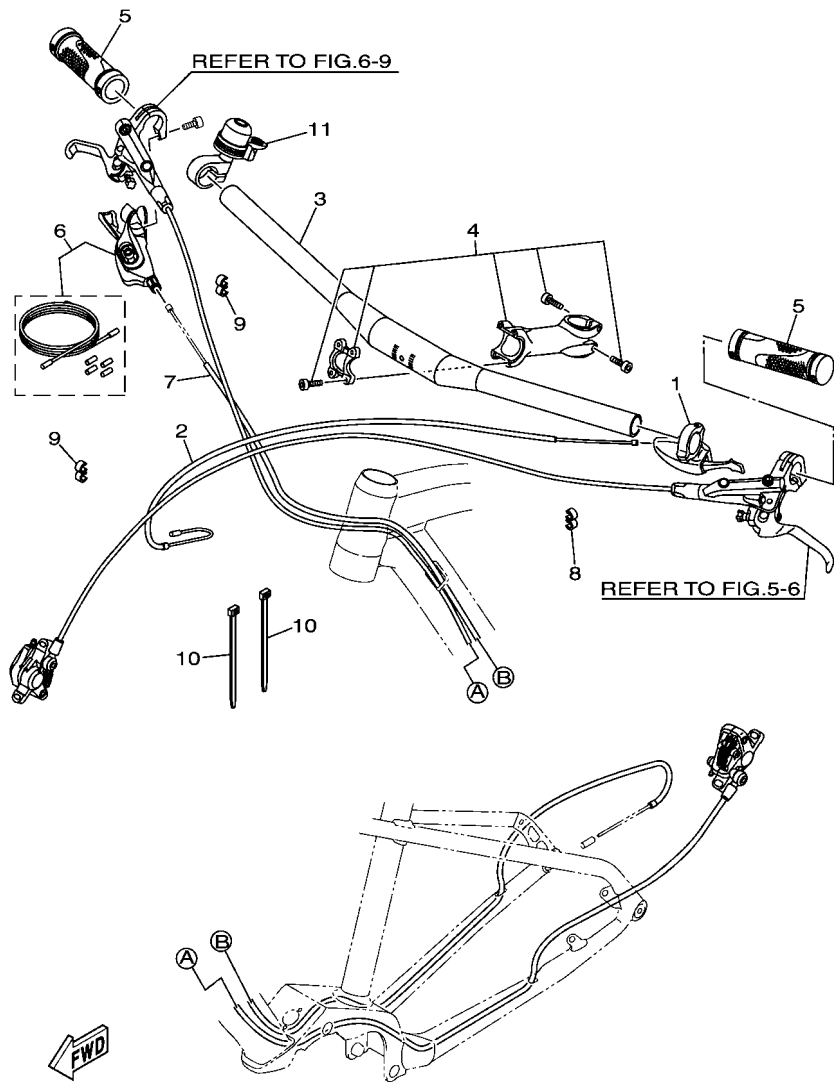


X1M1110-T060

The number used per Rear Wheel 32 pcs.

FIG. 6 REAR WHEEL

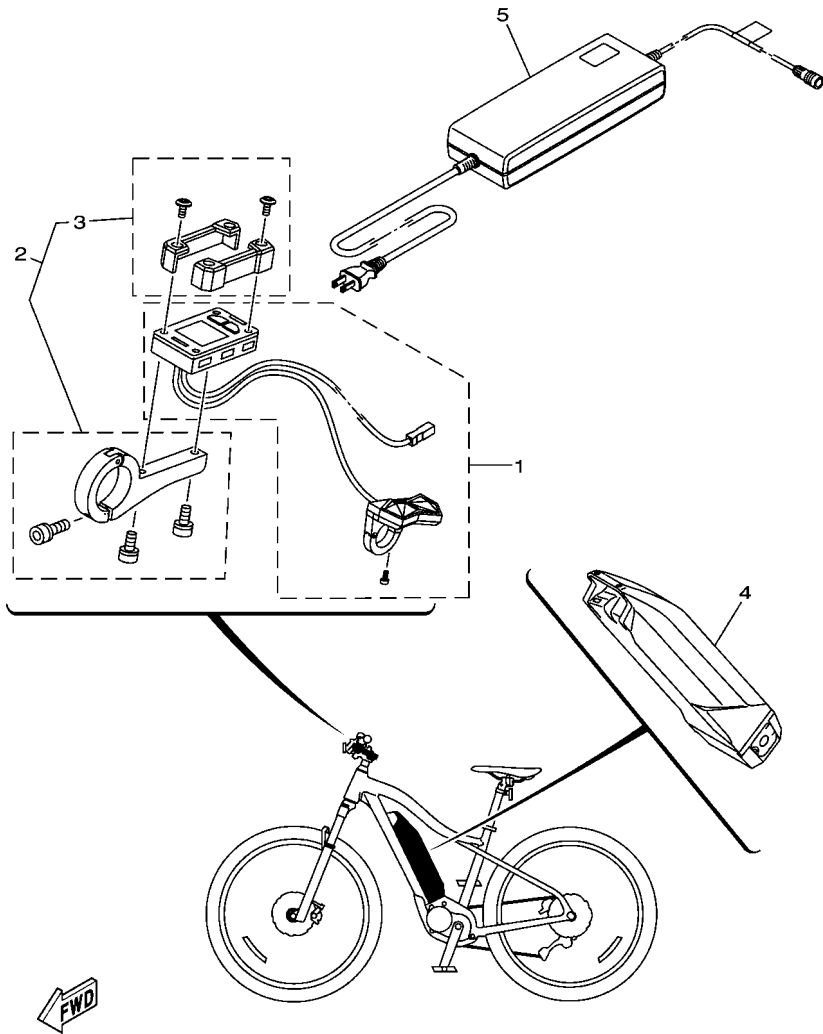
REF. NO.	PART NO.	DESCRIPTION	X1M1	X1M2	X1M3	REMARKS
1	X1M-F5310-00	HUB ASSY	1	1	1	
2	X1M-F5144-00	RIM	1	1	1	
3	X1M-F510U-00	BAND, RIM	1	1	1	
4	X1M-F5410-00	RR. WHEEL SPROCKET COMP.	1	1	1	
5	X1M-F510S-00	TIRE	1	1	1	
6	X1M-F510T-00	TUBE	1	1	1	
7	X1M-F533B-00	THROUGH AXLE BOLT ASSY.,RR.	1	1	1	
8	X1M-F582T-00	DISC, BRAKE (LEFT)	1	1	1	
9	X1M-F5701-30	REAR BRAKE ASSY	1	1	1	
10	X1M-F5130-10	.BRAKE SHOE COMP.	1	1	1	
11	X1M-F53C0-00	CHAIN	1	1	1	
12	X1M-F531C-00	PROTECTOR, SPOKE	1	1	1	
13	X1M-F5305-01	SPOKE SET, REAR 1	1	1	1	Spoke16,Nipple16
14	X1M-F5306-01	SPOKE SET, REAR 2	1	1	1	Spoke16,Nipple16
15	X1M-8352Y-00	MAGNET COMP.	1	1	1	
16	X1M-81670-00	PICK-UP ASSY	1	1	1	
17	91317-03012	BOLT,HEX.SOCKET HEAD	1	1	1	
18	92907-03200	WASHER	1	1	1	
19	X0N-83522-00	COLLAR	1	1	1	
20	X1M-85557-00	HOLDER	1	1	1	
21	X1M-81515-00	LEAD WIRE ASSY	1	1	1	



X1M1110-T070

**FIG. 7 STEERING HANDLE & CABLE**

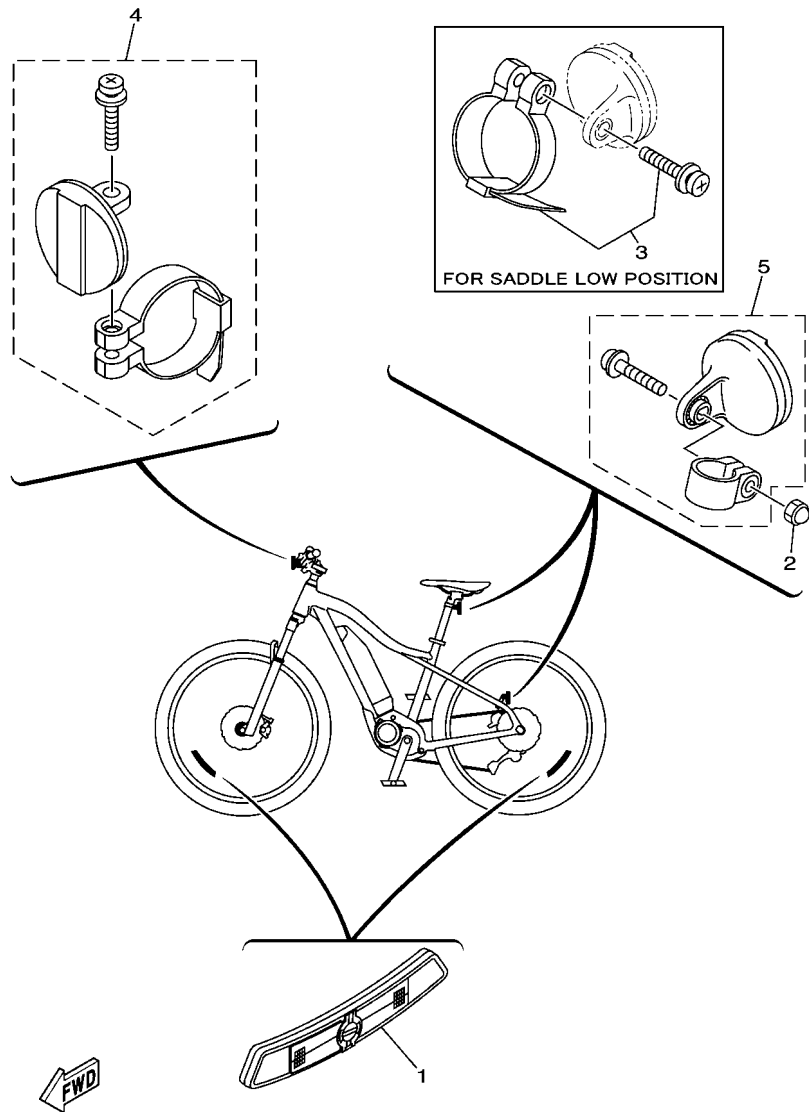
REF. NO.	PART NO.	DESCRIPTION	X1M1	X1M2	X1M3	REMARKS
1	X1M-F175K-00	LEVER, LOCK	1	1	1	
2	X1M-F2463-00	CABLE, CONTROL 1	1	1	1	
3	X1M-F6112-00	BAR, HANDLE	1	1	1	
4	X1M-F6126-10	STEM, HANDLE	1	1	1	
5	X1M-F6201-00	GRIP SET	1	1	1	
6	X1M-F6411-00	SHIFT LEVER ASSY	1	1	1	
7	X1M-F632K-10	WIRE, OUTER 1	1	1	1	
8	X1M-F6391-10	CLIP, CABLE	1	1	1	
9	X0N-F6392-00	CLIP, CABLE 2	2	2	2	
10	X1M-F1999-00	CLAMP, WIRE HARNESS	2	2	2	
11	X0N-H3382-10	BELL	1	1	1	



X1M1110-T080

FIG. 8 ELECTRICAL 1

REF. NO.	PART NO.	DESCRIPTION	X1M1	X1M2	X1M3	REMARKS
1	X1M-83500-00	METER ASSY	1	1	1	
2	X0P-835B0-00	METER COVER KIT	1	1	1	
3	X1M-87278-00	.COVER, METER	1	1	1	
4	X1M-82110-10	BATTERY ASSY	1	1	1	
5	X1M-8210C-00	BATTERY CHARGER ASSY	1	1	1	



X1M1110-T090

FIG. 9 ELECTRICAL 2

REF. NO.	PART NO.	DESCRIPTION	X1M1	X1M2	X1M3	REMARKS
1	X0N-H4323-00	REFLECTOR	2	2	2	
2	X0U-F4681-00	NUT, CAP	1	1	1	
3	X0N-H3836-10	BAND	1	1	1	
4	X0N-H5120-00	FRONT REFLECTOR ASSY 2	1			
5	X0N-H5140-00	REAR REFLECTOR ASSY	1			

NUMERICAL INDEX

PART NO.	REF. NO.	PART NO.	REF. NO.	PART NO.	REF. NO.	PART NO.	REF. NO.	PART NO.	REF. NO.	PART NO.	REF. NO.
X94-15490-10	1 - 6	X1M-F1719-10	2 - 8	X1M-F5413-00	5 - 9						
X0P-16180-00	1 - 12	X1M-F1719-30	2 - 9	X1M-F5701-30	6 - 9						
X0P-16570-00	1 - 13	X1M-F1738-00	3 - 3	X1M-F582T-00	5 - 8						
X1M-17061-10	1 - 1	X1M-F1739-00	3 - 4		6 - 8						
X0P-17062-00	1 - 11	X1M-F175K-00	7 - 1	X1M-F6112-00	7 - 3						
X0P-17421-10	1 - 7	X1M-F1999-00	7 - 10	X1M-F6126-10	7 - 4						
X0P-17463-00	1 - 32	X1M-F2125-00	2 - 6	X1M-F6201-00	7 - 5						
X0P-17510-01	1 - 5	X1M-F2125-10	2 - 7	X1M-F632K-10	7 - 7						
X1R-17524-00	1 - 18	X1M-F2298-00	2 - 15	X1M-F6391-10	7 - 8						
X0P-17822-00	1 - 26	X1M-F2463-00	7 - 2	X0N-F6392-00	7 - 9						
X0P-17840-00	1 - 17	X1M-F256L-00	2 - 10	X1M-F6411-00	7 - 6						
X94-2113B-10	3 - 9	X1M-F2825-00	3 - 5	X1M-F781A-00	2 - 21						
X94-21543-10	3 - 8	X1M-F2863-00	3 - 2	X1M-F785A-00	2 - 22						
X1M-81515-00	6 - 21	X1M-F287K-00	2 - 18	X1M-H256A-00	2 - 12						
X1M-81670-00	6 - 16	X0N-F3363-00	2 - 19	X0N-H3382-10	7 - 11						
X0P-81890-01	1 - 2	X0N-F3364-00	2 - 20	X0N-H3836-10	9 - 3						
X1M-8210C-00	8 - 5	X1M-F341A-00	2 - 17	X1M-H4306-00	2 - 14						
X1M-82110-10	8 - 4	X1M-F3780-00	2 - 16	X0N-H4323-00	9 - 1						
X94-82154-00	3 - 6	X1M-F3780-10	2 - 16	X0N-H5120-00	9 - 4						
X94-82164-00	3 - 7	X1M-F3780-20	2 - 16	X0N-H5140-00	9 - 5						
X1M-83500-00	8 - 1	X0U-F4681-00	9 - 2	90105-05029	1 - 20						
X0N-83522-00	6 - 19	X1M-F4720-00	4 - 3	90111-05047	3 - 10						
X1M-8352Y-00	6 - 15	X1M-F4910-00	4 - 1	90164-03009	1 - 27						
X0P-835B0-00	8 - 2	X1M-F4921-01	4 - 2	90206-24001	1 - 10						
X1M-85557-00	6 - 20	X1M-F4921-11	4 - 2	90387-06303	3 - 11						
X0P-86171-00	1 - 21	X1M-F4921-20	4 - 2	91317-03012	6 - 17						
X1M-86172-10	1 - 22	X1M-F5106-01	5 - 10	92014-05016	1 - 4						
X0P-86173-00	1 - 23	X1M-F5107-01	5 - 11	92907-03200	6 - 18						
X0P-86174-00	1 - 24	X1M-F510E-00	5 - 6	93210-22010	1 - 8						
X0P-86175-00	1 - 25	X1M-F510S-00	5 - 4	93210-32006	1 - 14						
X1M-86212-10	1 - 28		6 - 5	93410-22098	1 - 16						
X0P-87153-01	1 - 3	X1M-F510T-00	5 - 5	93606-10227	1 - 19						
X94-87234-30	3 - 12		6 - 6	99009-24800	1 - 9						
X1M-87278-00	8 - 3	X1M-F510U-00	5 - 3		1 - 15						
X0P-8A8B0-10	1 - 29		6 - 3								
X0P-8A8B1-10	1 - 30	X1M-F5110-00	5 - 1								
X0P-8A8B2-10	1 - 31	X1M-F5130-10	5 - 7								
X1M-E7452-00	1 - 33		6 - 10								
X1M-F1110-00-P0	2 - 1	X1M-F5144-00	5 - 2								
X1M-F1110-10-P0	2 - 1		6 - 2								
X1M-F1110-20-P0	2 - 1	X1M-F5305-01	6 - 13								
X1M-F112K-00	2 - 4	X1M-F5306-01	6 - 14								
X1M-F114D-00	2 - 3	X1M-F5310-00	6 - 1								
X1M-F11A5-00	2 - 23	X1M-F531C-00	6 - 12								
X1M-F11C6-00	2 - 5	X1M-F533B-00	6 - 7								
X1M-F11C7-00	2 - 11	X1M-F535B-00	2 - 2								
X1M-F11C8-00	2 - 13	X1M-F53C0-00	6 - 11								
X1M-F1711-00	3 - 1	X1M-F5410-00	6 - 4								