



# **PARTS CATALOGUE**

***Cross Core***

**PW70CRL** ( X1M7 ) USA

**PW70CRM** ( X1M8 ) USA

**PW70CRS** ( X1M9 ) USA

---

PW70CRL  
PW70CRM/PW70CRS  
PARTS CATALOGUE  
©2018 by Yamaha Motor Co., Ltd.  
1st edition, June 2018  
All rights reserved.  
Any reprinting or unauthorized use  
without the written permission of  
Yamaha Motor Co., Ltd.  
is expressly prohibited.  
Printed in Japan.

# FOREWORD

This Parts Catalogue is related to the parts for the model(s) on the cover page. When you are ordering replacement parts, please refer to this Parts Catalogue and quote both part numbers and part names correctly.

1. Modifications or additions which have been made after the issue of the Parts Catalogue will be announced in the Parts News.  
It is advisable that you make the necessary corrections to the Parts Catalogue according to the Parts News.

2. Abbreviations

The following abbreviations are used in this Parts Catalogue.

“UR” Use specified parts number.

“UN” Use as many as needed.

“AP” Alternate Parts

“LM” Locally Made (Parts need to be ordered locally)

“F#” Frame No. (Applicable machine No.)

“O/S” Over Size

3. The number of components for assembly

- Parts, which are to be supplied in an assembly, are listed with a dot (.) in front of the part name as shown below.
- The numeral appearing to the right of each component part indicates the quantity of parts for each assembly unit.

| PART NO.     | DESCRIPTION              | Q'TY | REMARKS |
|--------------|--------------------------|------|---------|
| 2F5-83310-60 | FRONT FLASHER LIGHT ASSY | 2    |         |
| 115-83311-60 | .BULB (6V-18W)           | 1    |         |

4. Applicable colours of graphics are represented in the “REMARKS” as shown below.

| PART NO.        | DESCRIPTION         | Q'TY | REMARKS |
|-----------------|---------------------|------|---------|
| 2N4-24110-00-X5 | FUEL TANK COMP.     | 2    | MXR     |
| 3J1-24240-10    | .GRAPHIC, FUEL TANK | 1    | FOR MXR |

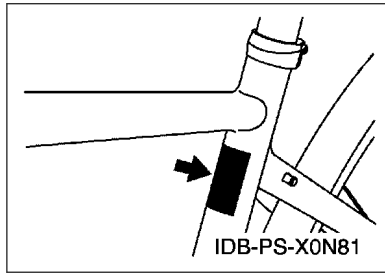
5. Note that the illustrations for reference in finding parts numbers are not to be used for assembling. When assembling, please use the applicable service manual.

6. The asterisk (\*) before a reference number indicates modified items after the first edition.

# FOREWORD

7. Applicable Serial No.

Frame Serial No.



8. Applicable Colour Code (The (\*) mark shows Model colour.)

| Abbreviation | Colour Name            | Colour Code |
|--------------|------------------------|-------------|
| MDBN5(*)     | MAT DARK BLUISH GRAY 5 | 1708        |
| WSD(*)       | WHITE SOLID D          | 1626        |
|              |                        |             |
|              |                        |             |
|              |                        |             |
|              |                        |             |
|              |                        |             |
|              |                        |             |
|              |                        |             |

9. Applicable Starting Serial No.

Engine Serial No.

| Serial No.   | Name Of Q'ty Column | Model Code |
|--------------|---------------------|------------|
| X1M7-0001001 | X1M7                | X1M7       |
| X1M8-0001001 | X1M8                | X1M8       |
| X1M9-0001001 | X1M9                | X1M9       |
|              |                     |            |
|              |                     |            |

# CONTENTS

|                              |    |
|------------------------------|----|
| POWER UNIT.....              | 1  |
| FRAME.....                   | 2  |
| SIDE COVER.....              | 4  |
| SEAT & CARRIER.....          | 5  |
| FRONT WHEEL.....             | 6  |
| REAR WHEEL.....              | 7  |
| STEERING HANDLE & CABLE..... | 8  |
| ELECTRICAL 1.....            | 9  |
| ELECTRICAL 2.....            | 10 |

## INDEX

|                      |    |
|----------------------|----|
| NUMERICAL INDEX..... | 11 |
|----------------------|----|

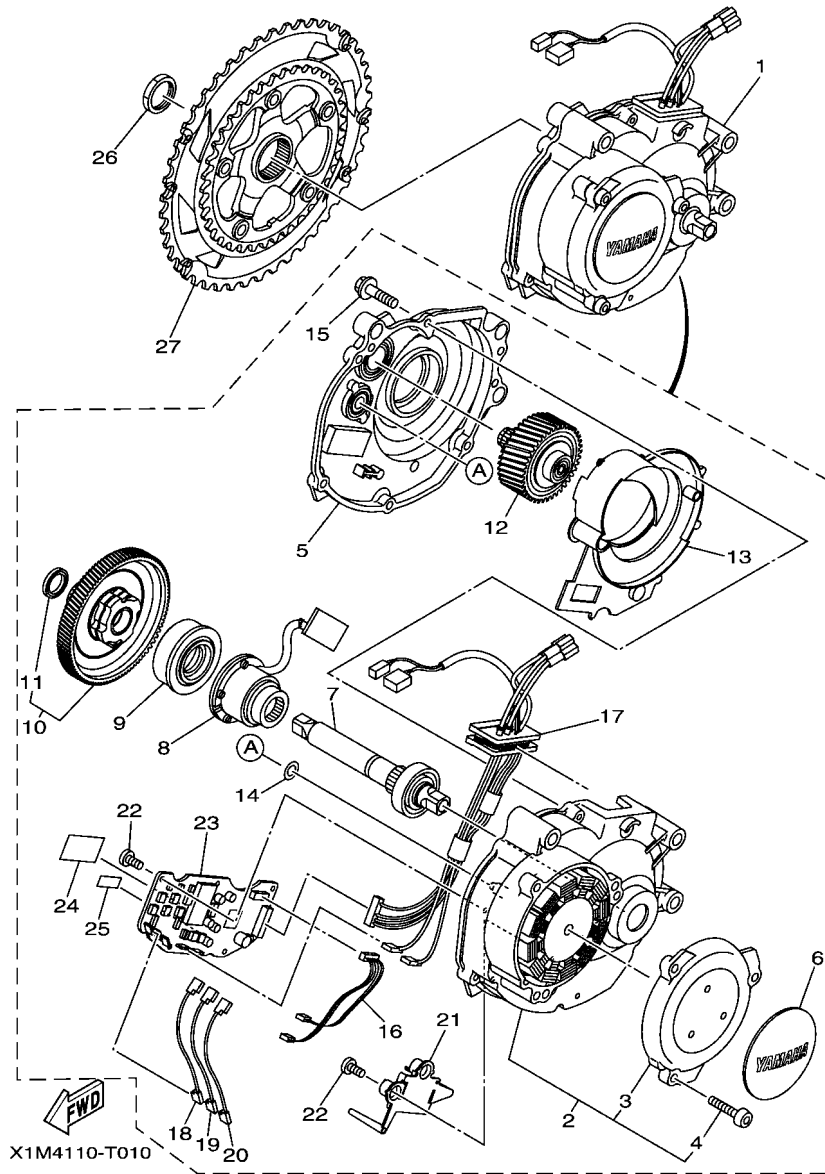


FIG. 1 POWER UNIT

| REF. NO. | PART NO.     | DESCRIPTION          | X1M7 | X1M8 | X1M9 | REMARKS        |
|----------|--------------|----------------------|------|------|------|----------------|
| 1        | X1M-17061-71 | DRIVE UNIT ASSY      | 1    | 1    | 1    |                |
| 2        | X94-81890-02 | .MOTOR ASSY          | 1    | 1    | 1    |                |
| 3        | X94-87153-01 | ..COVER, STATOR      | 1    | 1    | 1    |                |
| 4        | 92017-05020  | ..BOLT, BUTTON HEAD  | 3    | 3    | 3    |                |
| 5        | X94-17510-00 | ..HOUSING COMP.      | 1    | 1    | 1    |                |
| 6        | X94-15490-40 | ..COVER ASSY         | 1    | 1    | 1    | SILVER LOGO 80 |
| 7        | X0S-17421-10 | ..AXLE, DRIVE        | 1    | 1    | 1    |                |
| 8        | X0S-17062-01 | ..TORQUE SENSOR ASSY | 1    | 1    | 1    |                |
| 9        | X94-16180-10 | ..ONE WAY BOSS COMP. | 1    | 1    | 1    |                |
| 10       | X94-16570-01 | ..CLUTCH BOSS ASSY   | 1    | 1    | 1    |                |
| 11       | 93106-17001  | ..OIL SEAL           | 1    | 1    | 1    |                |
| 12       | X87-17840-00 | ..DRIVEN GEAR ASSY   | 1    | 1    | 1    |                |
| 13       | X94-13327-00 | ..COVER, GEAR        | 1    | 1    | 1    |                |
| 14       | 90201-083J8  | ..WASHER, PLATE      | 1    | 1    | 1    |                |
| 15       | 90105-05029  | ..BOLT, FLANGE       | 6    | 6    | 6    |                |
| 16       | X0S-86171-00 | ..WIRE, LEAD 1       | 1    | 1    | 1    |                |
| 17       | X1M-86172-40 | ..WIRE, LEAD 2       | 1    | 1    | 1    |                |
| 18       | X94-86173-00 | ..WIRE, LEAD 3       | 1    | 1    | 1    |                |
| 19       | X94-86174-00 | ..WIRE, LEAD 4       | 1    | 1    | 1    |                |
| 20       | X94-86175-00 | ..WIRE, LEAD 5       | 1    | 1    | 1    |                |
| 21       | X94-17524-00 | ..HOLDER             | 1    | 1    | 1    |                |
| 22       | 90164-03009  | ..SCREW, TAPPING     | 7    | 7    | 7    |                |
| 23       | X1M-86212-70 | ..CONTROLLER ASSY    | 1    | 1    | 1    |                |
| 24       | X94-8A8B0-10 | ..SHEET              | 1    | 1    | 1    |                |
| 25       | X94-8A8B1-10 | ..SHEET 1            | 1    | 1    | 1    |                |
| 26       | X94-17463-10 | NUT, LOCK            | 1    | 1    | 1    | BLACK          |
| 27       | X0N-E7452-30 | SPROCKET, DRIVE      | 1    | 1    | 1    |                |

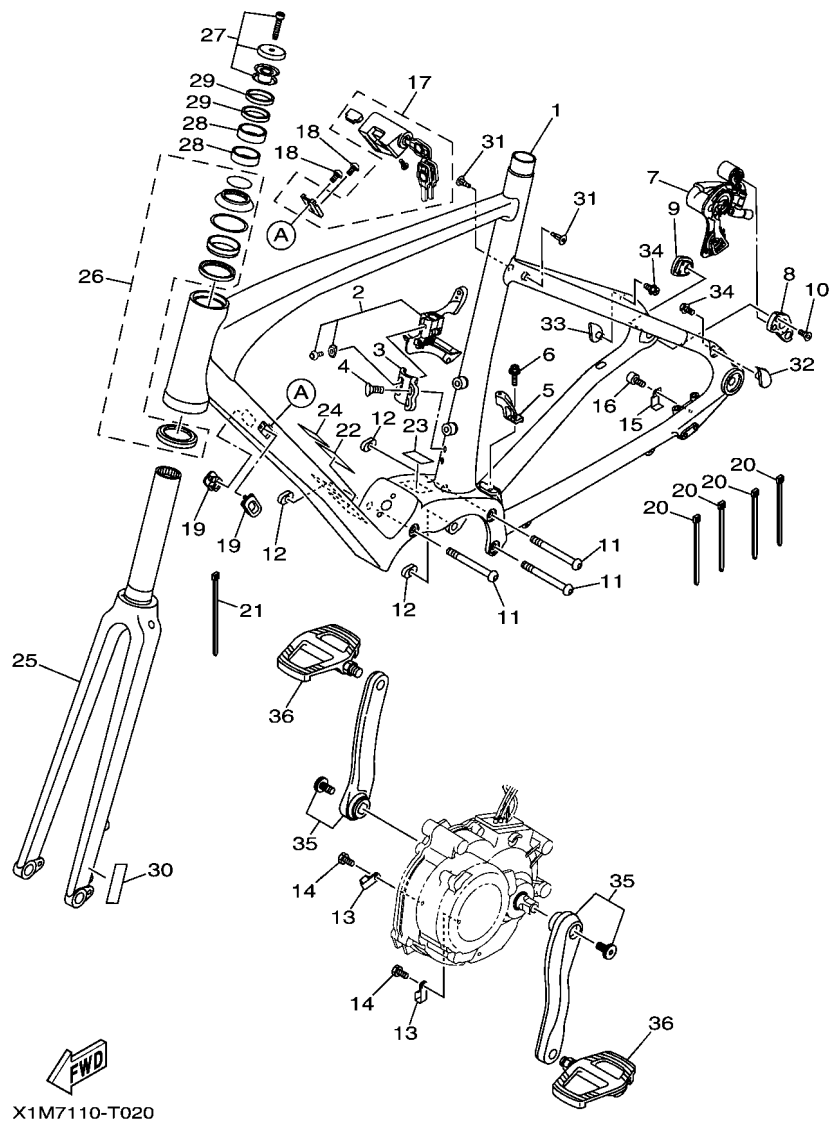
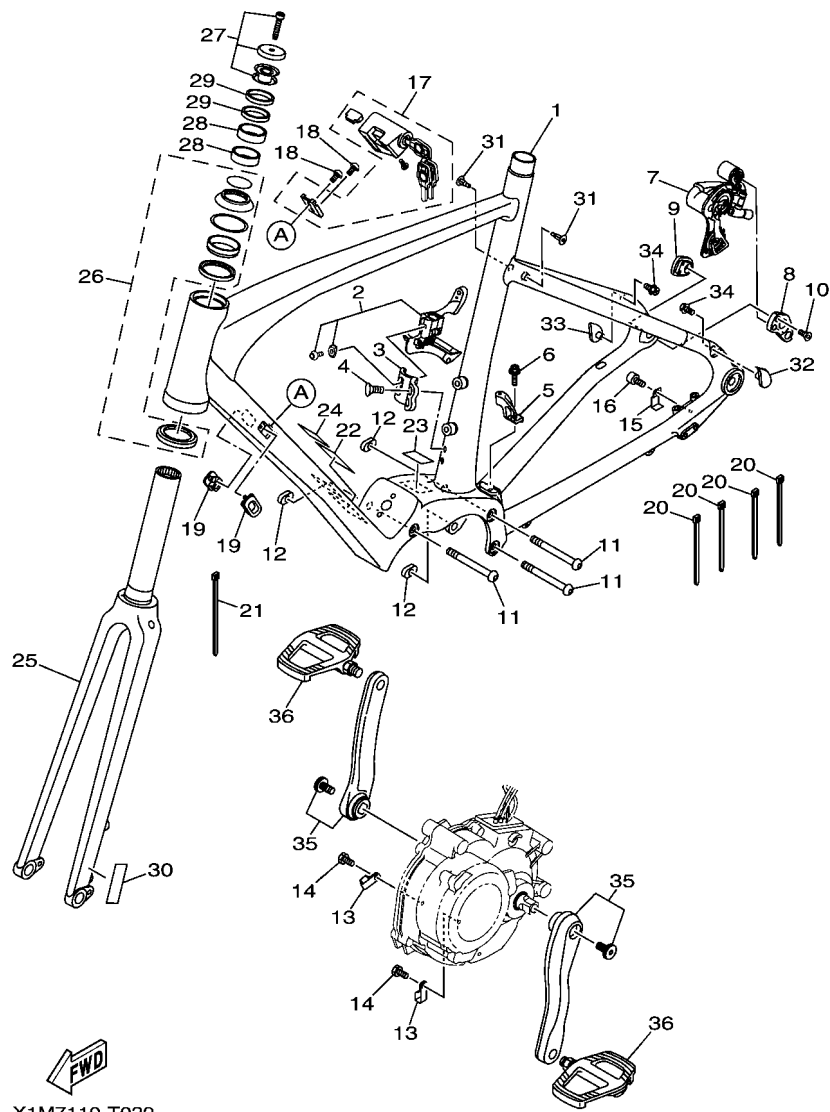


FIG. 2 FRAME

| REF. NO. | PART NO.        | DESCRIPTION              | X1M7 | X1M8 | X1M9 | REMARKS   |
|----------|-----------------|--------------------------|------|------|------|-----------|
| 1        | X1M-F1110-30-P2 | FRAME COMP.              | 1    |      |      | FOR MDBN5 |
|          | X1M-F1110-30-P1 | FRAME COMP.              | 1    |      |      | FOR WSD   |
|          | X1M-F1110-40-P1 | FRAME COMP.              |      | 1    |      | FOR MDBN5 |
|          | X1M-F1110-40-P2 | FRAME COMP.              |      | 1    |      | FOR WSD   |
|          | X1M-F1110-50-P1 | FRAME COMP.              |      |      | 1    | FOR MDBN5 |
|          | X1M-F1110-50-P2 | FRAME COMP.              |      |      | 1    | FOR WSD   |
| 2        | X0N-F515B-20    | FRONT DERAILLER          | 1    | 1    | 1    |           |
| 3        | X1M-F114C-00    | BRACKET DERAILLER, FRONT | 1    | 1    | 1    |           |
| 4        | X0N-F11C5-00    | SCREW 1                  | 2    | 2    | 2    |           |
| 5        | X1M-F1161-00    | HOLDER, CABLE            | 1    | 1    | 1    |           |
| 6        | X1M-F11C5-00    | SCREW 1                  | 1    | 1    | 1    |           |
| 7        | X0N-F535B-20    | REAR DERAILLER           | 1    | 1    | 1    |           |
| 8        | X1M-F114D-10    | BRACKET DERAILLER, REAR  | 1    | 1    | 1    |           |
| 9        | X1M-F112K-00    | BRACKET 5                | 1    | 1    | 1    |           |
| 10       | X1M-F11C6-00    | SCREW 2                  | 2    | 2    | 2    |           |
| 11       | X0N-F2125-10    | BOLT                     | 3    | 3    | 3    |           |
| 12       | X0N-F3393-00    | NUT, SPECIAL             | 3    | 3    | 3    |           |
| 13       | X1M-F1339-00    | GUIDE, WIRE              | 2    | 2    | 2    |           |
| 14       | X1M-F11D3-00    | SCREW 6                  | 2    | 2    | 2    |           |
| 15       | X1M-F256L-00    | BRACKET                  | 1    | 1    | 1    |           |
| 16       | X1M-F11C7-00    | SCREW 3                  | 1    | 1    | 1    |           |
| 17       | X1M-H256A-00    | LOCK COMP.               | 1    | 1    | 1    |           |
| 18       | X1M-F11C8-00    | SCREW 4                  | 2    | 2    | 2    |           |
| 19       | X1M-F1719-30    | GROMMET                  | 2    | 2    | 2    |           |
| 20       | X0N-F1999-00    | CLAMP, WIRE HARNESS      | 4    | 4    | 4    |           |
| 21       | X1M-F1999-00    | CLAMP, WIRE HARNESS      | 1    | 1    | 1    |           |
| 22       | X1M-F11A5-00    | LABEL INFORMATION        | 1    | 1    | 1    |           |

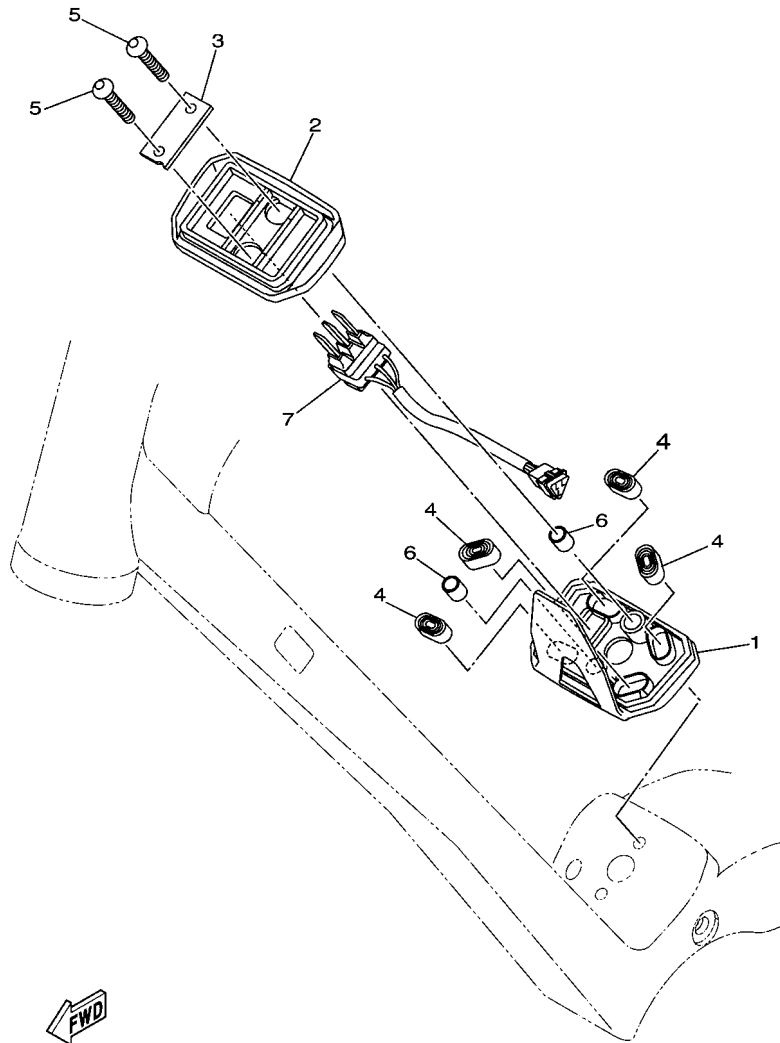


X1M7110-T020

FIG. 2 FRAME

| REF. NO. | PART NO.        | DESCRIPTION    | X1M7 | X1M8 | X1M9 | REMARKS   |
|----------|-----------------|----------------|------|------|------|-----------|
|          |                 |                |      |      |      |           |
| 23       | X1M-H4306-00    | LABEL, CAUTION | 1    | 1    | 1    |           |
| 24       | X1M-F2298-00    | LABEL, CAUTION | 1    | 1    | 1    |           |
| 25       | X1M-F3780-30-P2 | FORK COMP. 1   | 1    |      |      | FOR MDBN5 |
|          | X1M-F3780-30-P1 | FORK COMP. 1   | 1    |      |      | FOR WSD   |
|          | X1M-F3780-40-P1 | FORK COMP. 1   |      | 1    |      | FOR MDBN5 |
|          | X1M-F3780-40-P2 | FORK COMP. 1   |      | 1    |      | FOR WSD   |
|          | X1M-F3780-50-P1 | FORK COMP. 1   |      |      | 1    | FOR MDBN5 |
|          | X1M-F3780-50-P2 | FORK COMP. 1   |      |      | 1    | FOR WSD   |
| 26       | X0N-F341A-00    | STEERING SET   | 1    | 1    | 1    |           |
| 27       | X1M-F287K-00    | CAP ASSY       | 1    | 1    | 1    |           |
| 28       | X0N-F3363-00    | COLLAR 1       | 2    | 2    | 2    |           |
| 29       | X0N-F3364-00    | COLLAR 2       | 2    | 2    | 2    |           |
| 30       | X1M-F389C-00    | LABEL, CAUTION | 1    | 1    | 1    |           |
| 31       | X1M-F143A-00    | CAP            | 2    | 2    | 2    |           |
| 32       | X1M-F1399-00    | CAP            | 1    | 1    | 1    | L.H.      |
| 33       | X1M-F1399-10    | CAP            | 1    | 1    | 1    | R.H.      |
| 34       | X1M-F1532-00    | BOLT 2         | 2    | 2    | 2    |           |
| 35       | X0N-F781A-10    | CRANK SET      | 1    | 1    |      |           |
|          | X0N-F781A-20    | CRANK SET      |      |      | 1    |           |
| 36       | X0N-F785A-10    | PEDAL SET      | 1    | 1    | 1    |           |





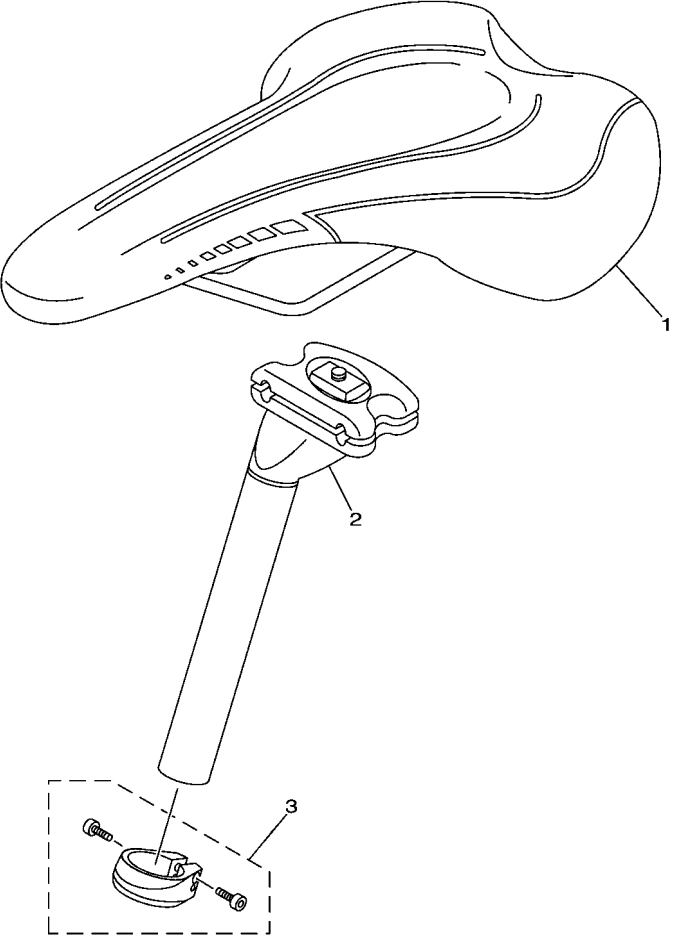
**FWD**  
X0NB010-T030

**FIG. 3 SIDE COVER**

| REF. NO. | PART NO.     | DESCRIPTION             | X1M7 | X1M8 | X1M9 | REMARKS     |
|----------|--------------|-------------------------|------|------|------|-------------|
|          |              |                         |      |      |      |             |
| 1        | X94-82154-00 | CASE                    | 1    | 1    | 1    |             |
| 2        | X94-82164-00 | CASE 2                  | 1    | 1    | 1    |             |
| 3        | X94-21543-10 | PLATE 1                 | 1    | 1    | 1    |             |
| 4        | X94-2113B-10 | DAMPER                  | 4    | 4    | 4    |             |
| 5        | 90111-05047  | BOLT,HEX. SOCKET BUTTON | 2    | 2    | 2    |             |
| 6        | 90387-06303  | COLLAR                  | 2    | 2    | 2    |             |
| 7        | X94-87234-30 | PLUG, D.C.RECEPTACLE    | 1    | 1    | 1    | 3P, L=200mm |
|          |              |                         |      |      |      |             |
|          |              |                         |      |      |      |             |
|          |              |                         |      |      |      |             |
|          |              |                         |      |      |      |             |
|          |              |                         |      |      |      |             |
|          |              |                         |      |      |      |             |
|          |              |                         |      |      |      |             |
|          |              |                         |      |      |      |             |
|          |              |                         |      |      |      |             |
|          |              |                         |      |      |      |             |

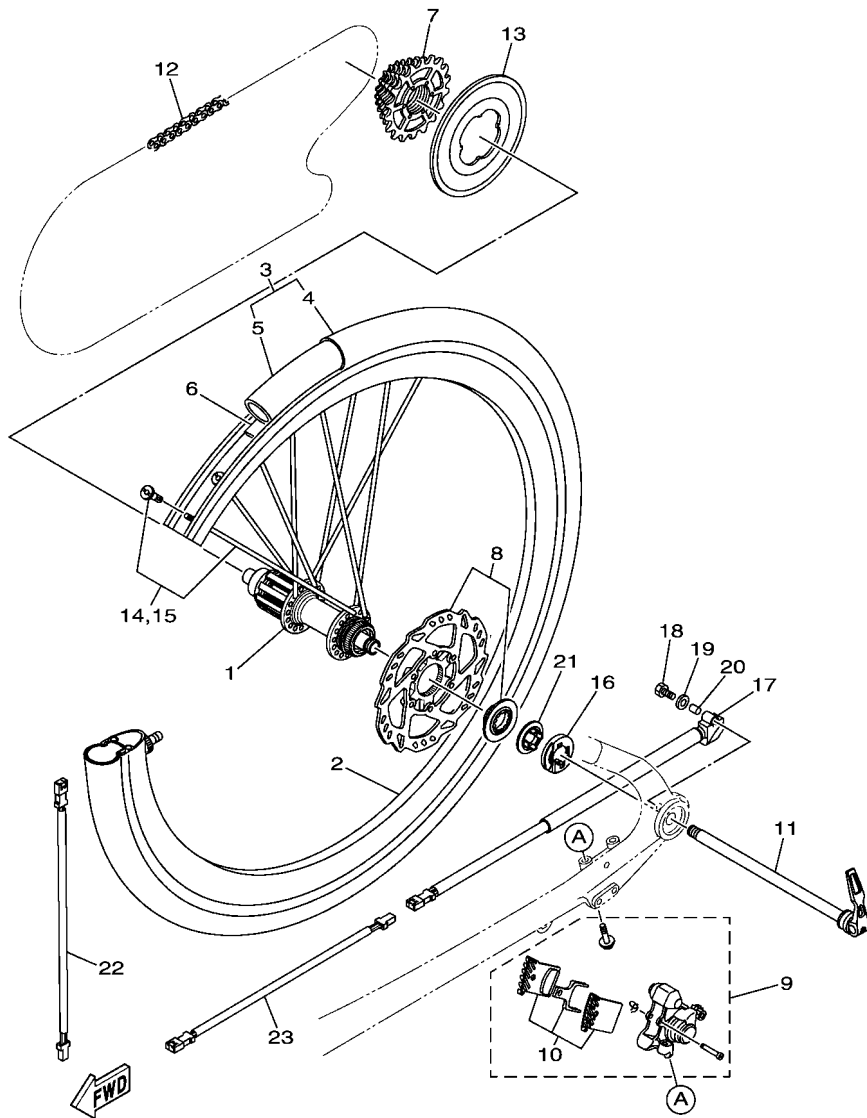
**FIG. 4 SEAT & CARRIER**

| REF. NO. | PART NO.     | DESCRIPTION    | X1M7 | X1M8 | X1M9 | REMARKS |
|----------|--------------|----------------|------|------|------|---------|
| 1        | X0N-F4910-40 | SADDLE ASSY    | 1    | 1    | 1    |         |
| 2        | X0N-F4921-41 | PILLAR, SEAT   | 1    |      |      |         |
|          | X0N-F4921-51 | PILLAR, SEAT   |      | 1    |      |         |
|          | X0N-F4921-61 | PILLAR, SEAT   |      |      | 1    |         |
| 3        | X0N-F4720-10 | SEAT BAND ASSY | 1    | 1    | 1    |         |



X0NB010-T040





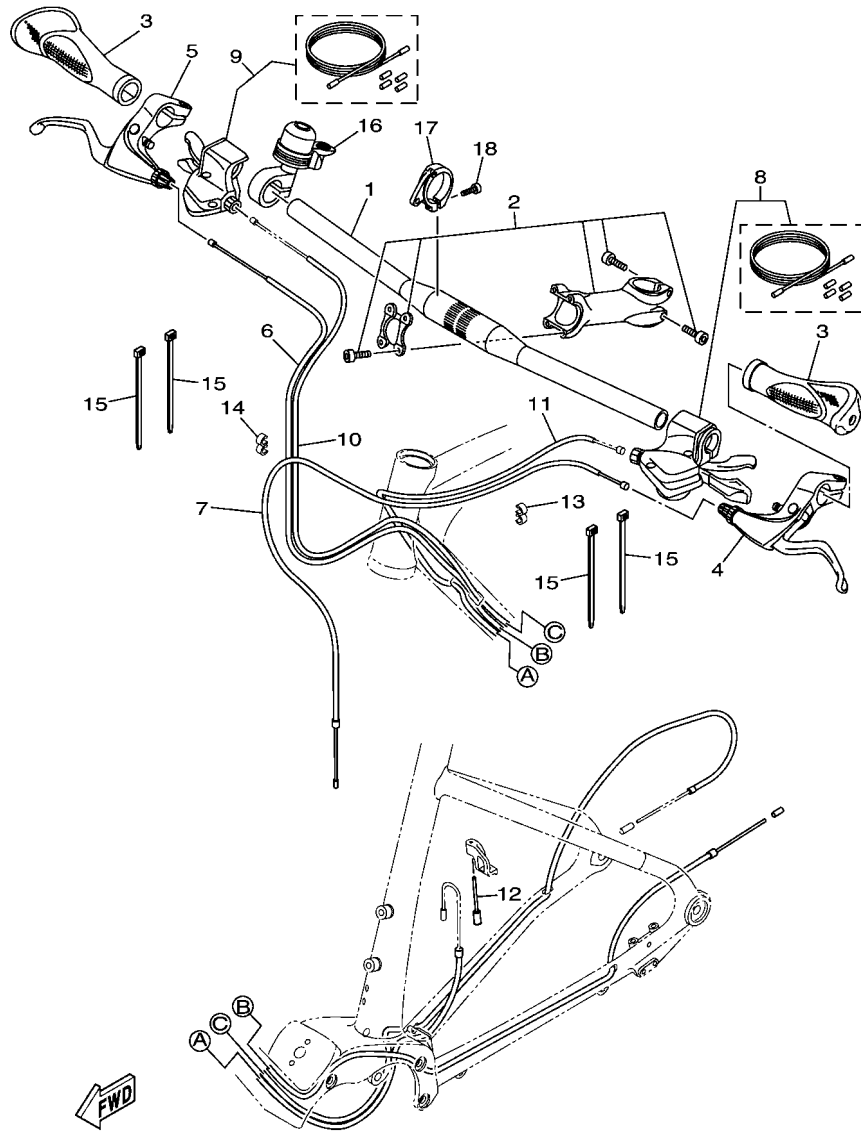
X1M7110-T060

The number used per Rear Wheel 36 pcs.

FIG. 6 REAR WHEEL

| REF. NO. | PART NO.     | DESCRIPTION                 | X1M7 | X1M8 | X1M9 | REMARKS          |
|----------|--------------|-----------------------------|------|------|------|------------------|
| 1        | X1M-F5310-10 | HUB ASSY                    | 1    | 1    | 1    |                  |
| 2        | X1M-F5144-30 | RIM                         | 1    | 1    | 1    | UR FOR MDBN5     |
|          | X1M-F5144-40 | RIM                         | 1    | 1    | 1    | UR FOR WSD       |
| 3        | X1M-F510M-10 | TIRE SET                    | 1    | 1    | 1    |                  |
| 4        | X1M-F510S-20 | .TIRE                       | 1    | 1    | 1    |                  |
| 5        | X1M-F510T-20 | .TUBE                       | 1    | 1    | 1    |                  |
| 6        | X0N-F510U-10 | BAND, RIM                   | 1    | 1    | 1    |                  |
| 7        | X0N-F5410-10 | RR. WHEEL SPROCKET COMP.    | 1    | 1    | 1    | CS-HG50-9 9-SPD  |
| 8        | X1M-F5711-00 | DISC, BRAKE                 | 1    | 1    | 1    |                  |
| 9        | X1M-F5701-10 | REAR BRAKE ASSY             | 1    | 1    | 1    |                  |
| 10       | X1M-F5130-00 | .BRAKE SHOE COMP.           | 1    | 1    | 1    |                  |
| 11       | X1M-F533B-10 | THROUGH AXLE BOLT ASSY.,RR. | 1    | 1    | 1    |                  |
| 12       | X1M-F53C0-20 | CHAIN                       | 1    | 1    | 1    |                  |
| 13       | X1M-F531C-10 | PROTECTOR, SPOKE            | 1    | 1    | 1    |                  |
| 14       | X1M-F5305-20 | SPOKE SET, REAR 1           | 1    | 1    | 1    | Sprke18,Nipple18 |
| 15       | X1M-F5306-20 | SPOKE SET, REAR 2           | 1    | 1    | 1    | Sprke18,Nipple18 |
| 16       | X1M-8352Y-00 | MAGNET COMP.                | 1    | 1    | 1    |                  |
| 17       | X1M-81670-00 | PICK-UP ASSY                | 1    | 1    | 1    |                  |
| 18       | 91317-03012  | BOLT,HEX.SOCKET HEAD        | 1    | 1    | 1    |                  |
| 19       | 92907-03200  | WASHER                      | 1    | 1    | 1    |                  |
| 20       | X0N-83522-00 | COLLAR                      | 1    | 1    | 1    |                  |
| 21       | X1M-85557-00 | HOLDER                      | 1    | 1    | 1    |                  |
| 22       | X1M-81515-00 | LEAD WIRE ASSY              | 1    | 1    | 1    |                  |
| 23       | X1M-86178-00 | WIRE, LEAD 8                | 1    | 1    | 1    |                  |

**FIG. 7 STEERING HANDLE & CABLE**



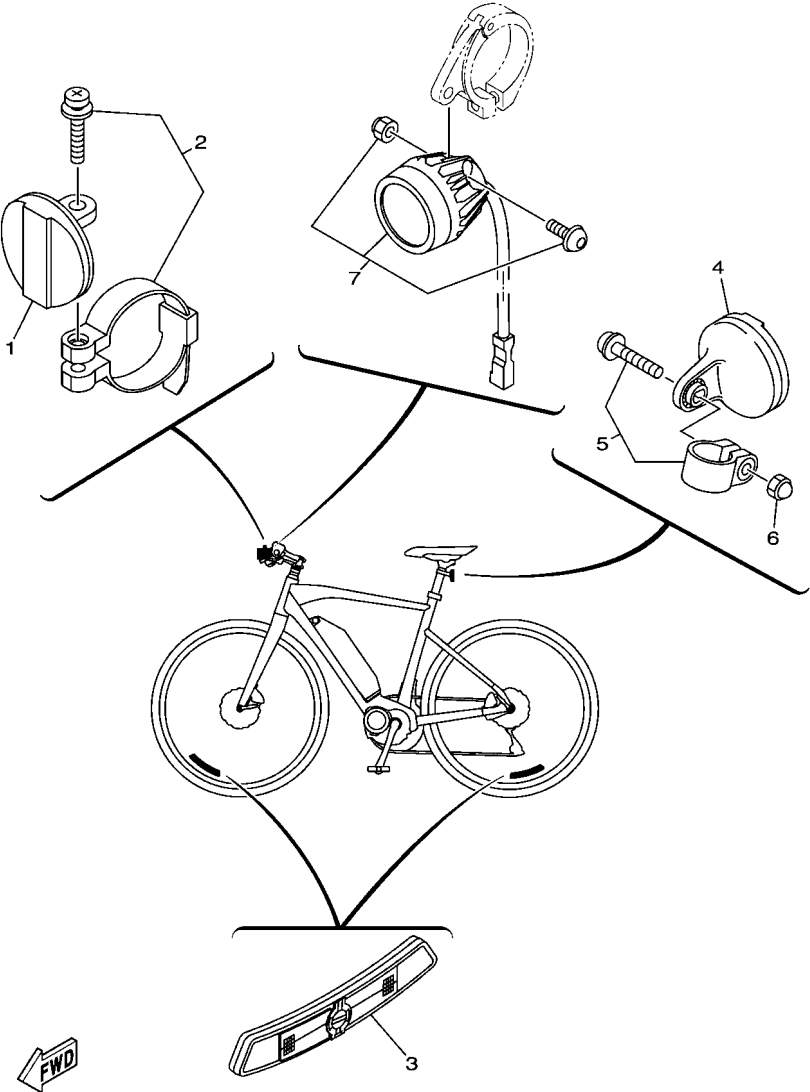
X1M7110-T070

| REF. NO. | PART NO.     | DESCRIPTION         | X1M7 | X1M8 | X1M9 | REMARKS |
|----------|--------------|---------------------|------|------|------|---------|
|          |              |                     |      |      |      |         |
| 1        | X0N-F6112-40 | BAR, HANDLE         | 1    | 1    | 1    |         |
| 2        | X0N-F6126-10 | STEM, HANDLE        | 1    |      |      |         |
|          | X0N-F6126-20 | STEM, HANDLE        |      | 1    | 1    |         |
| 3        | X0N-F6201-10 | GRIP SET            | 1    | 1    | 1    |         |
| 4        | X0N-F6164-10 | LEVER 1             | 1    | 1    | 1    |         |
| 5        | X0N-F6165-10 | LEVER 2             | 1    | 1    | 1    |         |
| 6        | X0N-F6341-60 | WIRE, BRAKE 1       | 1    |      |      | REAR    |
|          | X0N-F6341-70 | WIRE, BRAKE 1       |      | 1    | 1    | REAR    |
| 7        | X0N-F6351-40 | CABLE, BRAKE        | 1    | 1    | 1    | FRONT   |
| 8        | X0N-F6411-20 | SHIFT LEVER ASSY    | 1    | 1    | 1    |         |
| 9        | X0N-F6411-30 | SHIFT LEVER ASSY    | 1    | 1    | 1    |         |
| 10       | X1M-F632K-50 | WIRE, OUTER 1       | 1    |      |      |         |
|          | X1M-F632K-60 | WIRE, OUTER 1       |      | 1    | 1    |         |
| 11       | X1M-F632K-70 | WIRE, OUTER 1       | 1    | 1    | 1    |         |
| 12       | X1M-F6358-00 | CAP                 | 1    | 1    | 1    |         |
| 13       | X1M-F6391-10 | CLIP, CABLE         | 1    | 1    | 1    |         |
| 14       | X0N-F6392-00 | CLIP, CABLE 2       | 1    | 1    | 1    |         |
| 15       | X1M-F1999-00 | CLAMP, WIRE HARNESS | 4    | 4    | 4    |         |
| 16       | X0N-H3382-10 | BELL                | 1    | 1    | 1    |         |
| 17       | X1M-F3174-00 | STAY, HEADLIGHT     | 1    | 1    | 1    |         |
| 18       | X1M-F6332-00 | BOLT                | 1    | 1    | 1    |         |



FIG. 9 ELECTRICAL 2

| REF. NO. | PART NO.     | DESCRIPTION         | X1M7 | X1M8 | X1M9 | REMARKS |
|----------|--------------|---------------------|------|------|------|---------|
| 1        | X0N-H5110-00 | REFLECTOR ASSY      | 1    | 1    | 1    |         |
| 2        | X0N-H3836-00 | BAND                | 1    | 1    | 1    |         |
| 3        | X0N-H4323-00 | REFLECTOR           | 2    | 2    | 2    |         |
| 4        | X0N-H5130-00 | REAR REFLECTOR ASSY | 1    | 1    | 1    |         |
| 5        | X0N-H3836-00 | BAND                | 1    | 1    | 1    |         |
| 6        | X0U-F4681-00 | NUT, CAP            | 1    | 1    | 1    |         |
| 7        | X1M-H4100-00 | HEADLIGHT ASSY      | 1    | 1    | 1    |         |



X0NB010-T090

NUMERICAL INDEX

| PART NO.        | REF. NO. | PART NO.        | REF. NO. | PART NO.     | REF. NO. | PART NO.     | REF. NO. | PART NO. | REF. NO. | PART NO. | REF. NO. |
|-----------------|----------|-----------------|----------|--------------|----------|--------------|----------|----------|----------|----------|----------|
| X94-13327-00    | 1 - 13   | X1M-F11A5-00    | 2 - 22   | X0N-F510U-10 | 6 - 6    | X0N-H4323-00 | 9 - 3    |          |          |          |          |
| X94-15490-40    | 1 - 6    | X0N-F11C5-00    | 2 - 4    | X1M-F5110-10 | 5 - 1    | X0N-H5110-00 | 9 - 1    |          |          |          |          |
| X94-16180-10    | 1 - 9    | X1M-F11C5-00    | 2 - 6    | X1M-F5130-00 | 5 - 10   | X0N-H5130-00 | 9 - 4    |          |          |          |          |
| X94-16570-01    | 1 - 10   | X1M-F11C6-00    | 2 - 10   |              | 6 - 10   | 90105-05029  | 1 - 15   |          |          |          |          |
| X1M-17061-71    | 1 - 1    | X1M-F11C7-00    | 2 - 16   | X1M-F513B-00 | 5 - 7    | 90111-05047  | 3 - 5    |          |          |          |          |
| X0S-17062-01    | 1 - 8    | X1M-F11C8-00    | 2 - 18   | X1M-F5144-30 | 5 - 2    | 90164-03009  | 1 - 22   |          |          |          |          |
| X0S-17421-10    | 1 - 7    | X1M-F11D3-00    | 2 - 14   |              | 6 - 2    | 90201-083J8  | 1 - 14   |          |          |          |          |
| X94-17463-10    | 1 - 26   | X1M-F1339-00    | 2 - 13   | X1M-F5144-40 | 5 - 2    | 90387-06303  | 3 - 6    |          |          |          |          |
| X94-17510-00    | 1 - 5    | X1M-F1399-00    | 2 - 32   |              | 6 - 2    | 91317-03012  | 6 - 18   |          |          |          |          |
| X94-17524-00    | 1 - 21   | X1M-F1399-10    | 2 - 33   | X0N-F515B-20 | 2 - 2    | 92017-05020  | 1 - 4    |          |          |          |          |
| X87-17840-00    | 1 - 12   | X1M-F143A-00    | 2 - 31   | X1M-F5305-20 | 6 - 14   | 92907-03200  | 6 - 19   |          |          |          |          |
| X94-2113B-10    | 3 - 4    | X1M-F1532-00    | 2 - 34   | X1M-F5306-20 | 6 - 15   | 93106-17001  | 1 - 11   |          |          |          |          |
| X94-21543-10    | 3 - 3    | X1M-F1719-30    | 2 - 19   | X1M-F5310-10 | 6 - 1    |              |          |          |          |          |          |
| X1M-81515-00    | 6 - 22   | X0N-F1999-00    | 2 - 20   | X1M-F531C-10 | 6 - 13   |              |          |          |          |          |          |
| X1M-81670-00    | 6 - 17   | X1M-F1999-00    | 2 - 21   | X1M-F533B-10 | 6 - 11   |              |          |          |          |          |          |
| X94-81890-02    | 1 - 2    |                 | 7 - 15   | X0N-F535B-20 | 2 - 7    |              |          |          |          |          |          |
| X1M-8210C-00    | 8 - 5    | X0N-F2125-10    | 2 - 11   | X1M-F53C0-20 | 6 - 12   |              |          |          |          |          |          |
| X1M-82110-10    | 8 - 4    | X1M-F2298-00    | 2 - 24   | X0N-F5410-10 | 6 - 7    |              |          |          |          |          |          |
| X94-82154-00    | 3 - 1    | X1M-F256L-00    | 2 - 15   | X1M-F5701-10 | 6 - 9    |              |          |          |          |          |          |
| X94-82164-00    | 3 - 2    | X1M-F287K-00    | 2 - 27   | X1M-F5711-00 | 5 - 8    |              |          |          |          |          |          |
| X1M-83500-10    | 8 - 1    | X1M-F3174-00    | 7 - 17   |              | 6 - 8    |              |          |          |          |          |          |
| X0N-83522-00    | 6 - 20   | X0N-F3363-00    | 2 - 28   | X0N-F6112-40 | 7 - 1    |              |          |          |          |          |          |
| X1M-8352Y-00    | 6 - 16   | X0N-F3364-00    | 2 - 29   | X0N-F6126-10 | 7 - 2    |              |          |          |          |          |          |
| X0P-835B0-00    | 8 - 2    | X0N-F3393-00    | 2 - 12   | X0N-F6126-20 | 7 - 2    |              |          |          |          |          |          |
| X1M-85557-00    | 6 - 21   | X0N-F341A-00    | 2 - 26   | X0N-F6164-10 | 7 - 4    |              |          |          |          |          |          |
| X0S-86171-00    | 1 - 16   | X1M-F3780-30-P1 | 2 - 25   | X0N-F6165-10 | 7 - 5    |              |          |          |          |          |          |
| X1M-86172-40    | 1 - 17   | X1M-F3780-30-P2 | 2 - 25   | X0N-F6201-10 | 7 - 3    |              |          |          |          |          |          |
| X94-86173-00    | 1 - 18   | X1M-F3780-40-P1 | 2 - 25   | X1M-F632K-50 | 7 - 10   |              |          |          |          |          |          |
| X94-86174-00    | 1 - 19   | X1M-F3780-40-P2 | 2 - 25   | X1M-F632K-60 | 7 - 10   |              |          |          |          |          |          |
| X94-86175-00    | 1 - 20   | X1M-F3780-50-P1 | 2 - 25   | X1M-F632K-70 | 7 - 11   |              |          |          |          |          |          |
| X1M-86178-00    | 6 - 23   | X1M-F3780-50-P2 | 2 - 25   | X1M-F6332-00 | 7 - 18   |              |          |          |          |          |          |
| X1M-86212-70    | 1 - 23   | X1M-F389C-00    | 2 - 30   | X0N-F6341-60 | 7 - 6    |              |          |          |          |          |          |
| X94-87153-01    | 1 - 3    | X0U-F4681-00    | 9 - 6    | X0N-F6341-70 | 7 - 6    |              |          |          |          |          |          |
| X94-87234-30    | 3 - 7    | X0N-F4720-10    | 4 - 3    | X0N-F6351-40 | 7 - 7    |              |          |          |          |          |          |
| X1M-87278-00    | 8 - 3    | X0N-F4910-40    | 4 - 1    | X1M-F6358-00 | 7 - 12   |              |          |          |          |          |          |
| X94-8A8B0-10    | 1 - 24   | X0N-F4921-41    | 4 - 2    | X1M-F6391-10 | 7 - 13   |              |          |          |          |          |          |
| X94-8A8B1-10    | 1 - 25   | X0N-F4921-51    | 4 - 2    | X0N-F6392-00 | 7 - 14   |              |          |          |          |          |          |
| X0N-E7452-30    | 1 - 27   | X0N-F4921-61    | 4 - 2    | X0N-F6411-20 | 7 - 8    |              |          |          |          |          |          |
| X1M-F1110-30-P1 | 2 - 1    | X1M-F5106-20    | 5 - 11   | X0N-F6411-30 | 7 - 9    |              |          |          |          |          |          |
| X1M-F1110-30-P2 | 2 - 1    | X1M-F5107-20    | 5 - 12   | X0N-F781A-10 | 2 - 35   |              |          |          |          |          |          |
| X1M-F1110-40-P1 | 2 - 1    | X1M-F510E-10    | 5 - 9    | X0N-F781A-20 | 2 - 35   |              |          |          |          |          |          |
| X1M-F1110-40-P2 | 2 - 1    | X1M-F510M-10    | 5 - 3    | X0N-F785A-10 | 2 - 36   |              |          |          |          |          |          |
| X1M-F1110-50-P1 | 2 - 1    |                 | 6 - 3    | X1M-H256A-00 | 2 - 17   |              |          |          |          |          |          |
| X1M-F1110-50-P2 | 2 - 1    | X1M-F510S-20    | 5 - 4    | X0N-H3382-10 | 7 - 16   |              |          |          |          |          |          |
| X1M-F112K-00    | 2 - 9    |                 | 6 - 4    | X0N-H3836-00 | 9 - 2    |              |          |          |          |          |          |
| X1M-F114C-00    | 2 - 3    | X1M-F510T-20    | 5 - 5    |              | 9 - 5    |              |          |          |          |          |          |
| X1M-F114D-10    | 2 - 8    |                 | 6 - 5    | X1M-H4100-00 | 9 - 7    |              |          |          |          |          |          |
| X1M-F1161-00    | 2 - 5    | X0N-F510U-10    | 5 - 6    | X1M-H4306-00 | 2 - 23   |              |          |          |          |          |          |